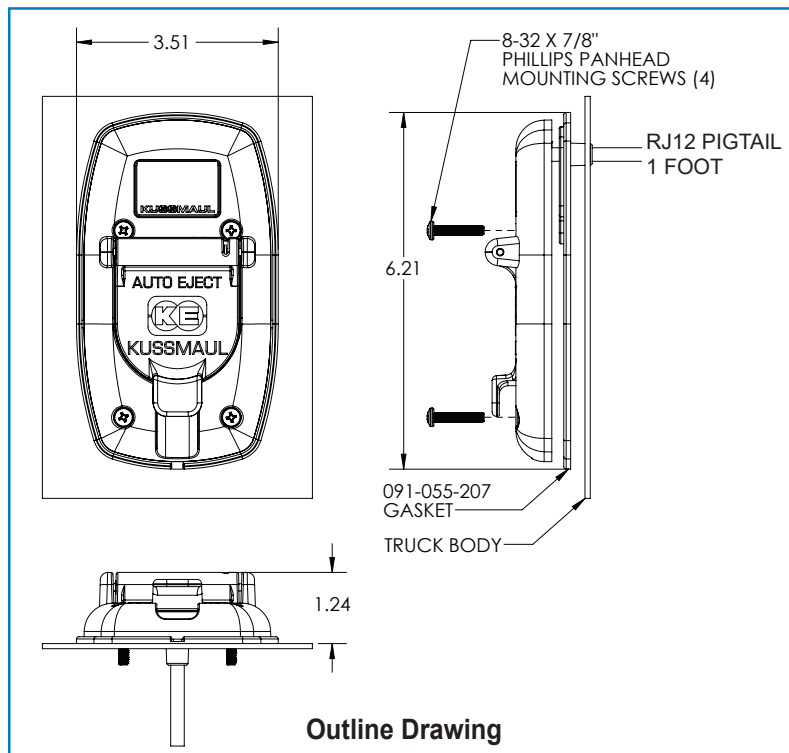


SUPER AUTO EJECT DELUXE COVER with OLED Inverter Digital Display

Features

- Incorporates Auto Eject Cover and Display into one product
- Displays volts and amps on the inverter battery and indicates status of the inverter on graphic OLED display
- Cover with lid that opens 180° to prevent breakage
- OLED display
- Includes a premolded rubber rear gasket
- Works with Freedom XC series of inverter/chargers
- Available in color options, indicate color (- XXX*) when ordering: Blue (BL), Black (BLK), Gray (GY), Red (RD), White (WH) and Yellow (YW)
- 3 year warranty



Specifications:

Interface: RS-232

Input Current: 50mA, Max

Temperature Range: -40F to 120F

Cable type: RJ-12 modular

Cable length: 25 feet

Warranty: 3 year

Part Number	Description	INPUT		Dimensions			Wgt.
		IN	OUT	L	W	D	
091-55-817XC-XXX	Super Auto Eject Deluxe Cover w/ inverter Digital Display	RS-232	RS-232	6.21"	3.51"	1.24"	.2 lbs