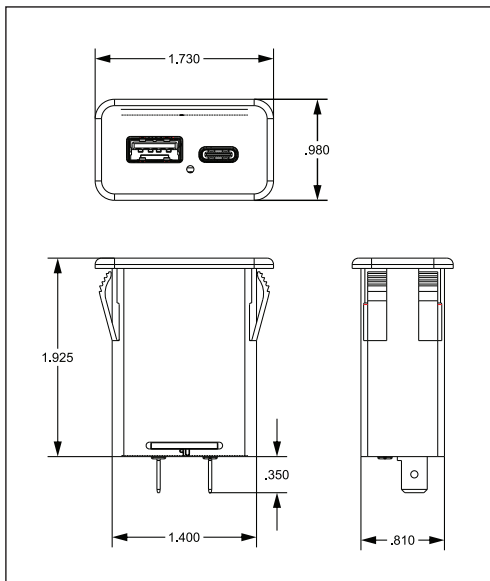


# Dual Port USB-C & USB-A SVR

## Dual USB-C & USB-A Charging Port, 12/24V

### Features

- Quick and easy way to recharge electronic devices in a vehicle
- 63 watt max output allows charging of two devices at the same time USB-C 45watts / USB-A 18watts max.
- Built-In LED Indicator indicates device is powered
- Designed for easy installation in vehicle switch panels
- Reverse polarity protected
- Can be connected to 12 or 24V switched ignition or directly to battery



OUTLINE DRAWING

### Specifications: USB Dual Port

Input Voltage: 10 to 30 VDC  
(10 to 32 VDC absolute min./max.)

Input Current: 6 Amps max at 12.0 VDC (with 63 Watt load)

Output Voltage: USB-A 3.6 to 12 VDC  
USB-C 3.3 to 21VDC

Output Current: 5.5 Amps (maximum)

Indicator: Device Powered Blue LED

Ambient Temp: (12v) -40°C to 80°C  
(24v) -40°C to 70°C

Warranty: 3 years

Part Number	Description	Electrical Data		Dimensions				Wgt.
		DC input	Watts	L	W	D	Corner	
091-264	Dual USB Charging Port SVR	10 to 30 VDC	63 max	1.73"	0.98"	1.73"	-	.1 lb

DS\_091-264\_revA 08-07-2020