

xantrex™

FREEDOM XC 2000 230V DATASHEET



AVAILABLE IN:
2000W/80A

ROBUST. DURABLE. FLEXIBLE.

The FREEDOM XC inverter/charger offers premium performance in a lightweight compact package. It cranks out full output in invert or charge mode from -20°C - 40°C for operation in all climate temperatures. The extended surge rating of the Freedom XC makes it ideal to start difficult loads including a fridge and microwave. The quick connect terminals at AC IN/OUT make installation a breeze.



Exceptional full rated performance in all climate temperatures



Designed to charge lithium ion batteries



Ability to charge dead batteries down to 0V



View, control and configure via Bluetooth app* on iOS and Android

APPLICATIONS:



**2 YEAR
WARRANTY**

www.xantrex.com
CUSTOMER CARE: 1.800.670.0707

Copyright © 2020 Xantrex LLC. All Rights Reserved. All trademarks are owned by Xantrex LLC.

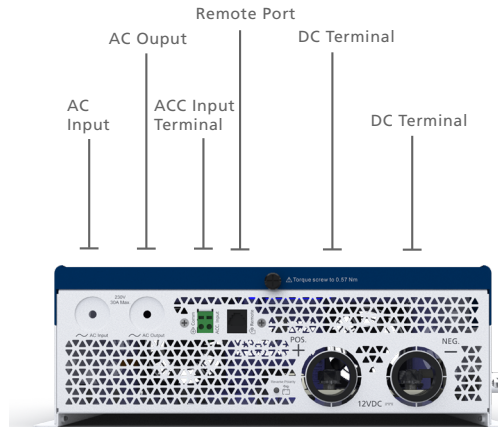
*requires FREEDOM X Bluetooth Remote Panel, part #808-0817-02

¹ CE Marking: Low Voltage Directive, EMC Directive, and RoHS Directive Compliant

² Automotive EMC Regulation - 10 R-06 Compliant



TOP VIEW



SIDE VIEW



SIDE VIEW

INVERTER FEATURES

Extended Surge Rating

- Surges to 2X continuous power for at least 2 seconds for motor loads

True Sine Wave AC Power

- For operation of sensitive and motor loads

Ignition Control

- Feature to turn inverter on/off via a 12 VDC signal and to minimize battery drain by switching the inverter off when the ignition key is turned off

Wide 10-17 VDC Input Range

- Ensures inverter operation on high voltage alternators found on many new vehicle chassis

Programmable AC Under-Voltage (170-220V \sim) Shutdown

- Feature ideal to operate under weak shore power or generator input

Built in 30A AC Transfer Relay

- Senses when outside AC Power is present and transfers the load from the inverter to the source of incoming power

BUILT-IN CHARGER FEATURES

Power Factor Corrected Multi-Stage

- Utilizes less shorepower when charging batteries. This frees up more usable AC power for running electrical devices and appliances and reduces the likelihood of tripping shorepower breakers

Programmable

- Configurable 3 stage temperature compensated battery charge algorithm for optimal charging of almost any battery type up to 17V

Battery Equalization

- Maximizes flooded battery life

Dead Battery Charging Down to 0 Vdc

Power Share

- Prioritizes AC loads by reducing the charge current and maintaining the total input current to less than the breaker setting

Lithium-Ion/Battery Support

- BMS Required

FREEDOM X BLUETOOTH REMOTE PANEL + FXC CONTROL MOBILE APP



FREEDOM X BLUETOOTH REMOTE PANEL
(808-0817-02)



- Easily monitor system status
- Monitor alerts
- Change settings conveniently
- Connect via bluetooth
- Available on Android and iOS



DOWNLOAD ON



CONNECT WITH Bluetooth

ELECTRICAL SPECS - INVERTER

FREEDOM XC 2000 230V	
AC Output Operating Voltage Options	220/230/240V \sim
Continuous Output Power	Continuous Power 2000 W @40°C True sine wave (TSW)
Continuous AC Output Current	8.7 A \sim
Surge Power	4000 W (> 2 sec)
Frequency (Configurable)	50 or 60 Hz
DC Nominal Current at Full Load	192 Adc
Peak Efficiency	93%
Full Load Efficiency	> 90%

ELECTRICAL SPECS - BATTERY CHARGER

FREEDOM XC 2000 230V	
Min Battery Voltage for Charging	0.0 Vdc
Max DC Output Voltage	17.0 Vdc (custom battery type)
Selectable DC Output Current	User Selectable: 5 - 80 A
Full Load Max AC Input Current (Charging)	5.6 A \sim
Operating Input AC Pass-Through Voltage Range	170-280V \sim
Safe Non-Operating Input AC Voltage Range	Up to 300V \sim
Power Factor at Full Charge Rate	> 98%

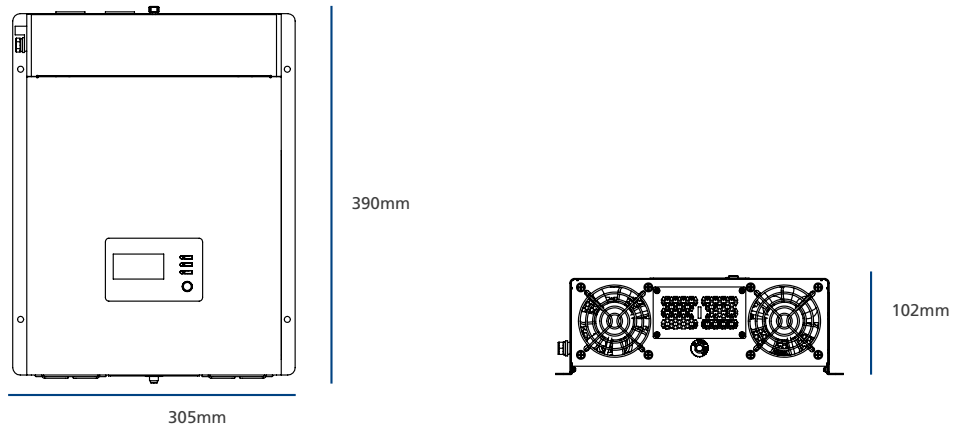
GENERAL SPECS

FREEDOM XC 2000 230V	
Operating Temperature Range	-20 to 60 °C, with output derated above 40 °C
Storage Temperature Range	-40 to 70 °C
Operating Humidity Range	5 to 95% RH, non-condensing
Transfer Relay AC Current Rating	30 A \sim , 24 A continuous
DC Input Operating voltage range	10.0 - 17.0 VDC
DC Input Max Non-Operating Voltage	25.2 Vdc
DC Input/Output Nominal Voltage (inverting/Charging)	12.0 Vdc
Part Number	817-2080-12
L x W x H (without flanges)	390 mm x 275 mm x 102 mm
L x W x H (with flanges)	390 mm x 305 mm x 102 mm
Net Weight	7.5 kgs

REGULATORY APPROVALS

FREEDOM XC 2000 230V	
Safety	CE Marking, Low Voltage Directive Compliant (Marine installations, drip shield, 808-1050)
EMC	CE Marking, EMC Directive and Automotive EMC - Regulation 10 R-06 Compliant
Environmental	CE Marking, RoHS Directive Compliant

FREEDOM XC 2000 230V DIMENSIONS



ACCESSORIES

Mfg Part #	Description
808-0817-01	FREEDOM X/XC Remote Panel
808-0817-02	FREEDOM X Bluetooth Remote Panel
31-6257-00 (7.62m), 31-6262-00 (15.24m)	Remote Panel Cable
808-0232-01	Battery Temperature Sensor (BTS)
808-1050	Drip Shield (for marine use)



View AC and battery current, % status bar for inverter output on the onboard display



Large wiring compartment with lever style connectors at AC IN/OUT for fast & easy installation



ACC input terminal for connecting ignition control wiring. Remote port allows you to connect an accessory remote control or display device.

CONTACT

CUSTOMER SERVICE

1.800.670.0707
 customerservice@xantrex.com
 Hours of operation:
 6:30am - 4:30pm PST, Monday to Friday

facebook.com/Xantrex

@Xantrex

youtube.com/XantrexTechnology

LEARN MORE ON:

www.xantrex.com