

SUPER AUTO EJECT DELUXE COVER WITH BAR GRAPH DISPLAY



MODEL # : 091-55-234-XXX

File: IM_091-55-234-XXX
Rev: A
Revised By: PSS/JRN
Date: 12-27-2017

3 YEAR WARRANTY

170 Cherry Avenue
West Sayville, NY 11796
www.kussmaul.com

 **KUSSMAUL™**
ELECTRONICS
ENERGIZED AND READY, WHEN SECONDS COUNT

Ph: 800-346-0857
Fax: 631-567-5826
sales@kussmaul.com

INTRODUCTION

The new Super Auto Eject Deluxe Cover incorporates two products into one easy to install package. The Deluxe Cover features a remotely mounted bar graph display. The display contains a 10-LED bar graph to indicate the vehicle's battery charger status when used with a Kussmaul Auto Charger. The top or bottom LEDs blink to indicate HIGH voltage or LOW voltage, respectively. A green LED indicator illuminates whenever AC power is applied to the Kussmaul Battery Charger.

The new lid design provides for 180-degree motion. This all-in-one package can be easily installed into existing and new Auto Eject installs.

FEATURES

I. NEW COVER DESIGN

- Incorporates Auto Eject cover and Bar Graph Display into one product
- Lid on cover opens 180-degrees to prevent beakage
- 10-LED bar graph provides Auto Charger status
- Includes rear mounted premolded rubber gasket for extra protect from the elements

II. INCORPORATED BAR GRAPH DISPLAY

When used with Kussmaul Auto Charger, the bar graph indicates the output condition of the charger. 10-LEDs will fully illiminate once the charger output decreases to less than 10%. Should the output voltage exceed the chargers specifcations, the top LED will blink indicating HIGH voltage. Additionally, if the battery voltage is too low, the bottom LED will blink indicating LOW voltage.

III. AC Power

A green LED will illuminate whenever AC power is applied to the Kussmaul Auto Charger.

INSTALLATION INSTRUCTIONS

I. INSTALLATION

1. Follow instructions for installing the Auto Eject.
2. Place the template in position and center punch in 6 places, see Figure 1: Hole Template.
3. Drill 4 mounting holes, 3/16" diameter, one 1-3/4" clearance hole for the Super Auto Eject, and one 13/32 hole for the indicator wiring cable.

II. HOLE TEMPLATE: Figure 1

Note: When printing this page use the print setting "Actual Size", otherwise template may not print to scale.

INSTALLATION INSTRUCTIONS

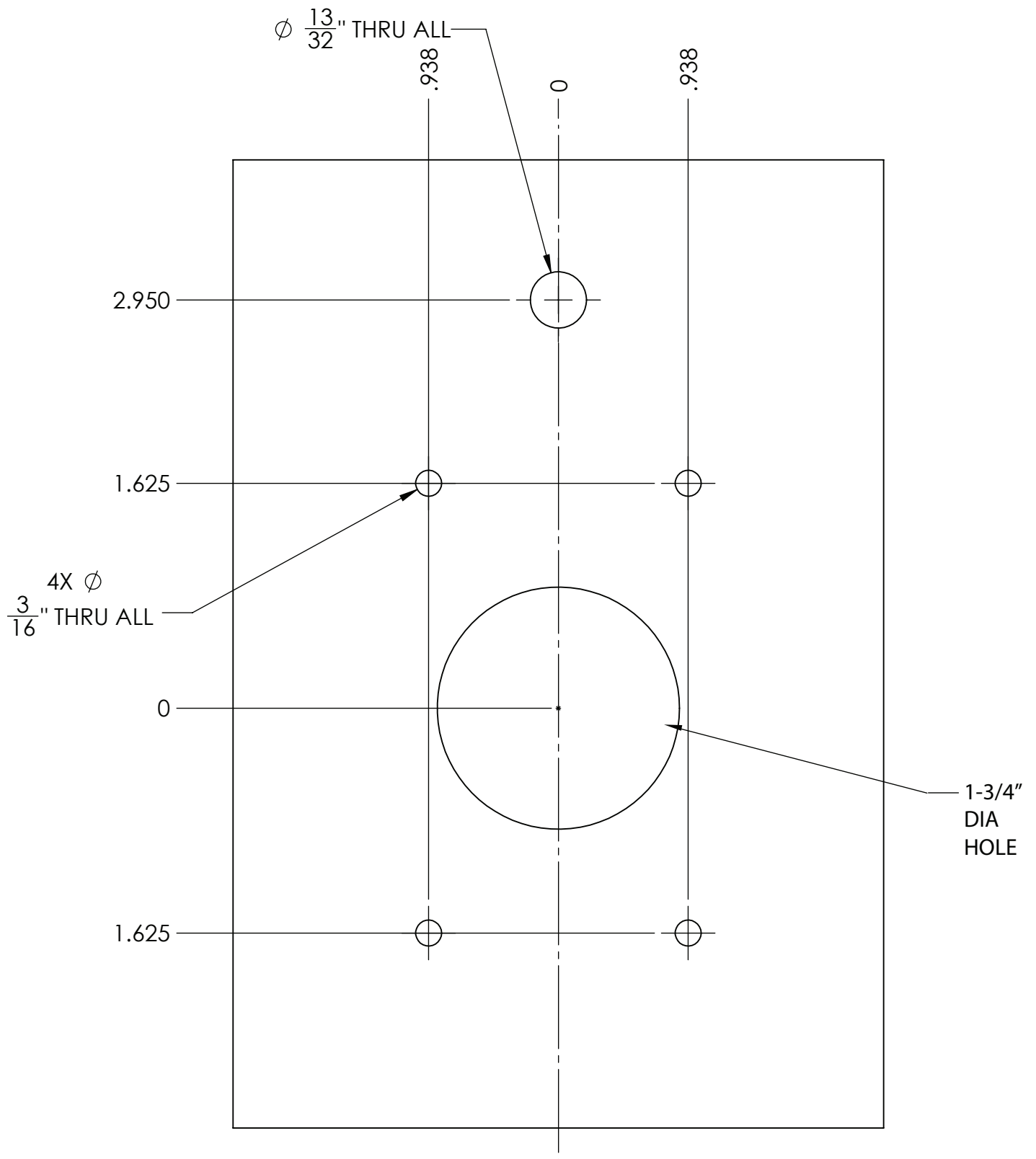


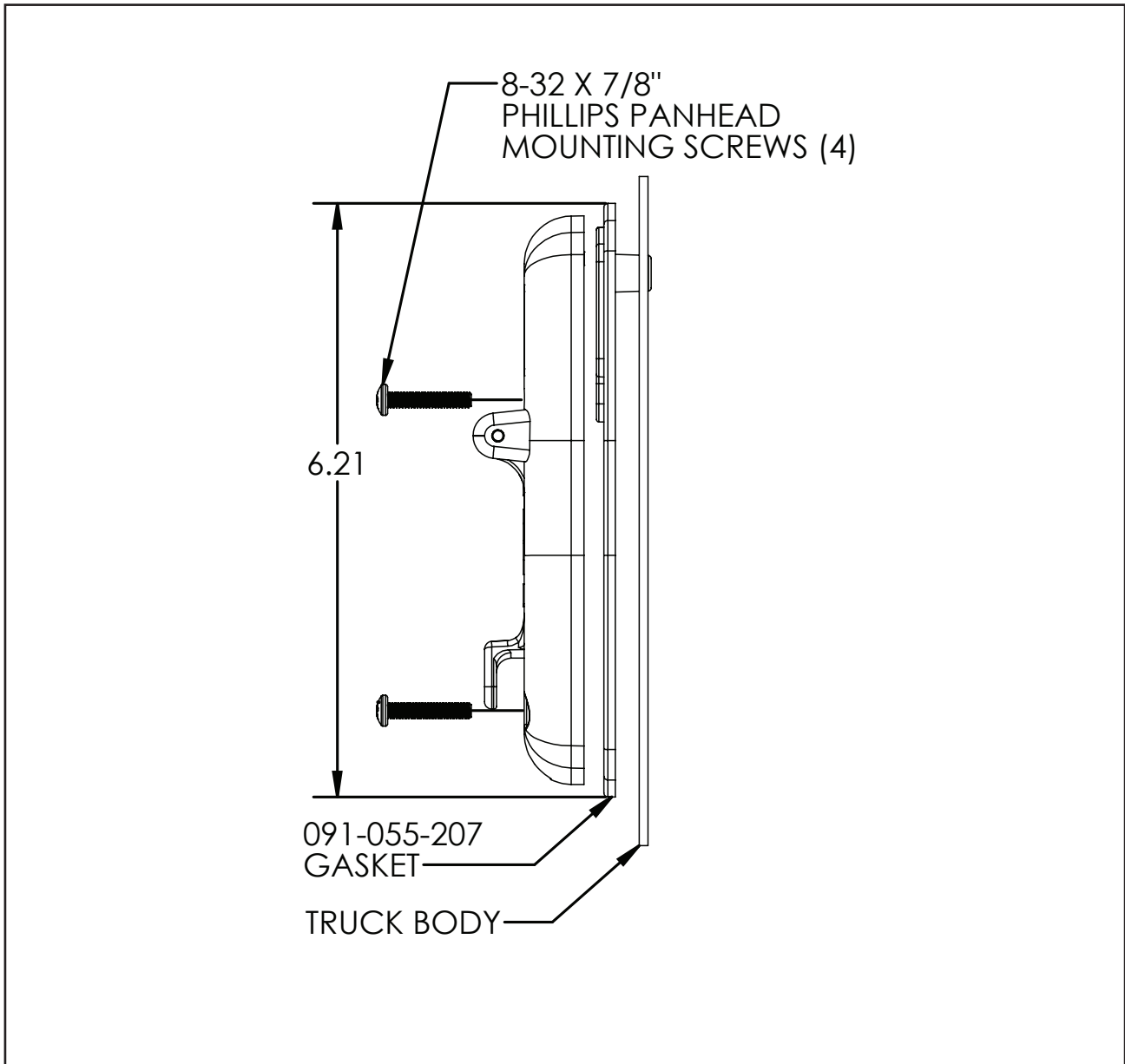
Figure 1: Hole Template

INSTALLATION INSTRUCTIONS

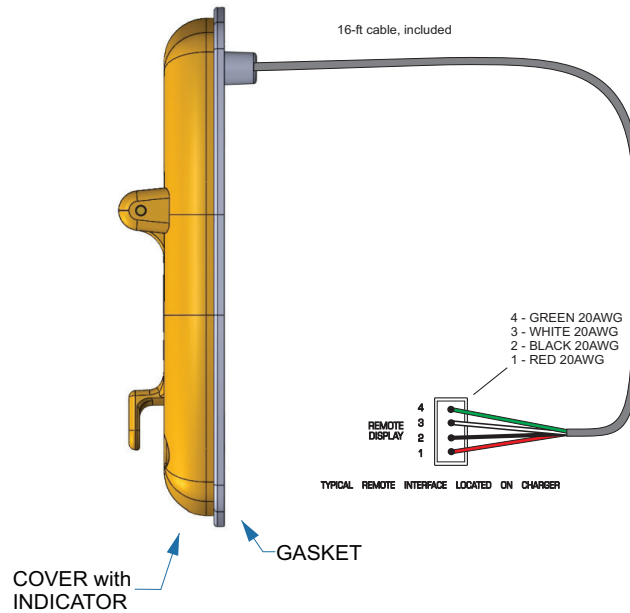
III. MOUNTING

1. Rubber gasket is premounted to the Deluxe Cover.
2. Install as shown in Figure 2: Cover and Gasket Mounting.
3. Insert (4) 8-32 X 7/8", PHILLIPS PANHEAD screws.

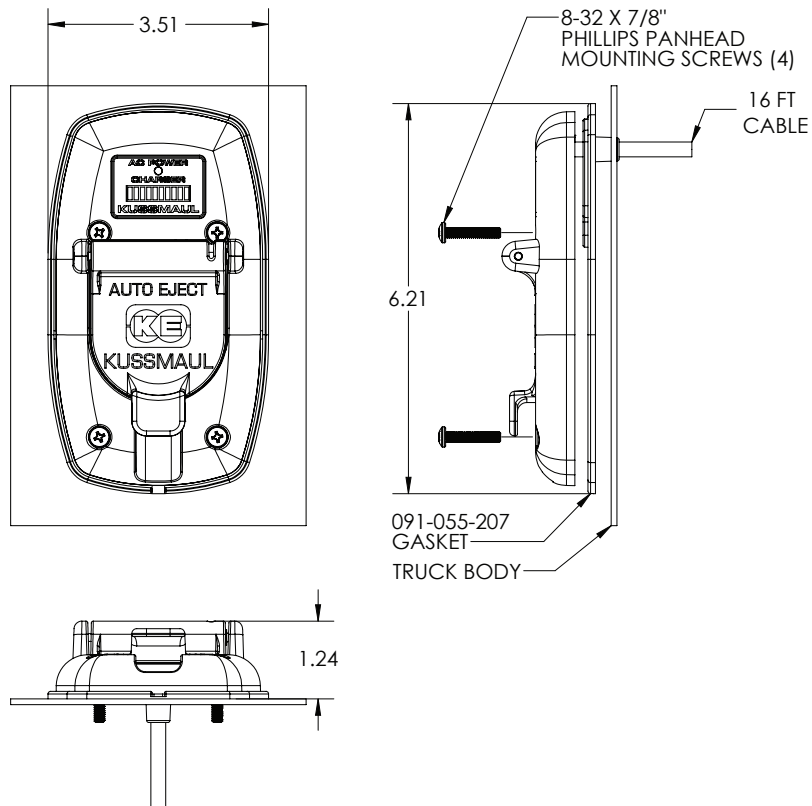
IV. COVER & GASKET MOUNTING: Figure 2



WIRING DIAGRAM



OUTLINE DRAWING



170 Cherry Avenue
West Sayville, NY 11796
www.kussmaul.com



Ph: 800-346-0857
Fax: 631-567-5826
sales@kussmaul.com

SPECIFICATIONS

Input Voltage: 12 to 30 VDC (32V absolute)
Input Current: 30mA,Max
Temperature Range: -40F to 120F
Bar Graph Range:12-13 +/-25 (bottom to top)
Low Voltage: < 12.0 VDC
High Voltage: >14.8 VDC
Cord: 20 AWG, 4-conductor
Cord Type: 16 feet
Warranty: 3 year

INSTALLATION RECORD

DATE INSTALLED _____
INSTALLED BY _____
VEHICLE IDENTIFICATION _____
VEHICLE OWNER _____

WARRANTY POLICY

All products of Kussmaul Electronics are warranted to be free of defects of material or workmanship. Liability is limited to repairing or replacing at our factory, without charge, any material or defects which become apparent in normal use within 2 years from the date the equipment was shipped. Equipment is to be returned, shipping charges prepaid and will be returned, after repair, shipping charges paid.

Kussmaul Electronics shall have no liability for damages of any kind to associated equipment arising from the installation and/or use of the Kussmaul Electronics products. The purchaser, by the acceptance of the equipment, assumes all liability for any damages which may result from its installation, use or misuse, by the purchaser, his or its employees or others.



Members of
Fire and Emergency
Manufacturers and
Service Association



Members of
National Fire
Protection
Association



Members of
Fire Apparatus
Manufacturers
Association



170 Cherry Avenue
West Sayville, NY 11796
www.kussmaul.com



Ph: 800-346-0857
Fax: 631-567-5826
sales@kussmaul.com