

SUPER AUTO EJECT DELUXE COVER WITH DIGITAL DISPLAY



MODEL # : 091-55-194X-24-XXX

194B-24: 20A, 194C-24: 45A

File: IM_091-55-194X-24-XXX
Rev: A
Revised By: PSS/JRN
Date: 06-12-2018

3 YEAR WARRANTY

170 Cherry Avenue
West Sayville, NY 11796
www.kussmaul.com

 **KUSSMAUL™**
ELECTRONICS
ENERGIZED AND READY, WHEN SECONDS COUNT

Ph: 800-346-0857
Fax: 631-567-5826
sales@kussmaul.com

INTRODUCTION

The new Super Auto Eject Deluxe Cover incorporates two products into one easy to install package. The Deluxe Cover features a remotely mounted volts and amps digital display. Two 3-digit LED displays are used to display the Kussmaul battery charger output voltage and current. Two individual LEDs are used to provide additional battery charger status such as: HIGH voltage, LOW voltage, current-limit, and over-current.

The new lid design provides for 180-degree motion. This all-in-one package can be easily installed into existing and new Auto Eject installs.

FEATURES

I. NEW COVER DESIGN

- Incorporates Auto Eject cover and Digital Display into one product
- Lid on cover opens 180-degrees to prevent beakage
- Two numerical LEDs display Auto Charger Volts and Amps output
- Includes rear mounted premolded rubber gasket for extra protect from the elements

II. INCORPORATED LED NUMERICAL DISPLAYS

When used with Kussmaul Auto Charger, two numerical LED displays output the chargers voltage and ampage. These easy to read displays provide immediate charger output conditions.

III. VOLTS & AMPS LED STATUS INDICATOR

VOLTS LED:

- Blinking RED: HIGH voltage or LOW voltage condition
- Blinking GRN: Charging
- Solid GRN: Charged

AMPS LED:

- Blinking RED: Current-limit exceeded
- Solid RED: Current-limit
- Solid GRN: Output greater than 5 amps

INSTALLATION INSTRUCTIONS

I. INSTALLATION

1. Follow instructions for installing the Auto Eject.
2. Place the template in position and center punch in 6 places, see Figure 1: Hole Template.
3. Drill 4 mounting holes, 3/16" diameter, one 1-3/4" clearance hole for the Super Auto Eject, and one 13/32 hole for the indicator wiring cable.

II. HOLE TEMPLATE: Figure 1

Note: When printing this page use the print setting "Actual Size", otherwise template may not print to scale.

INSTALLATION INSTRUCTIONS

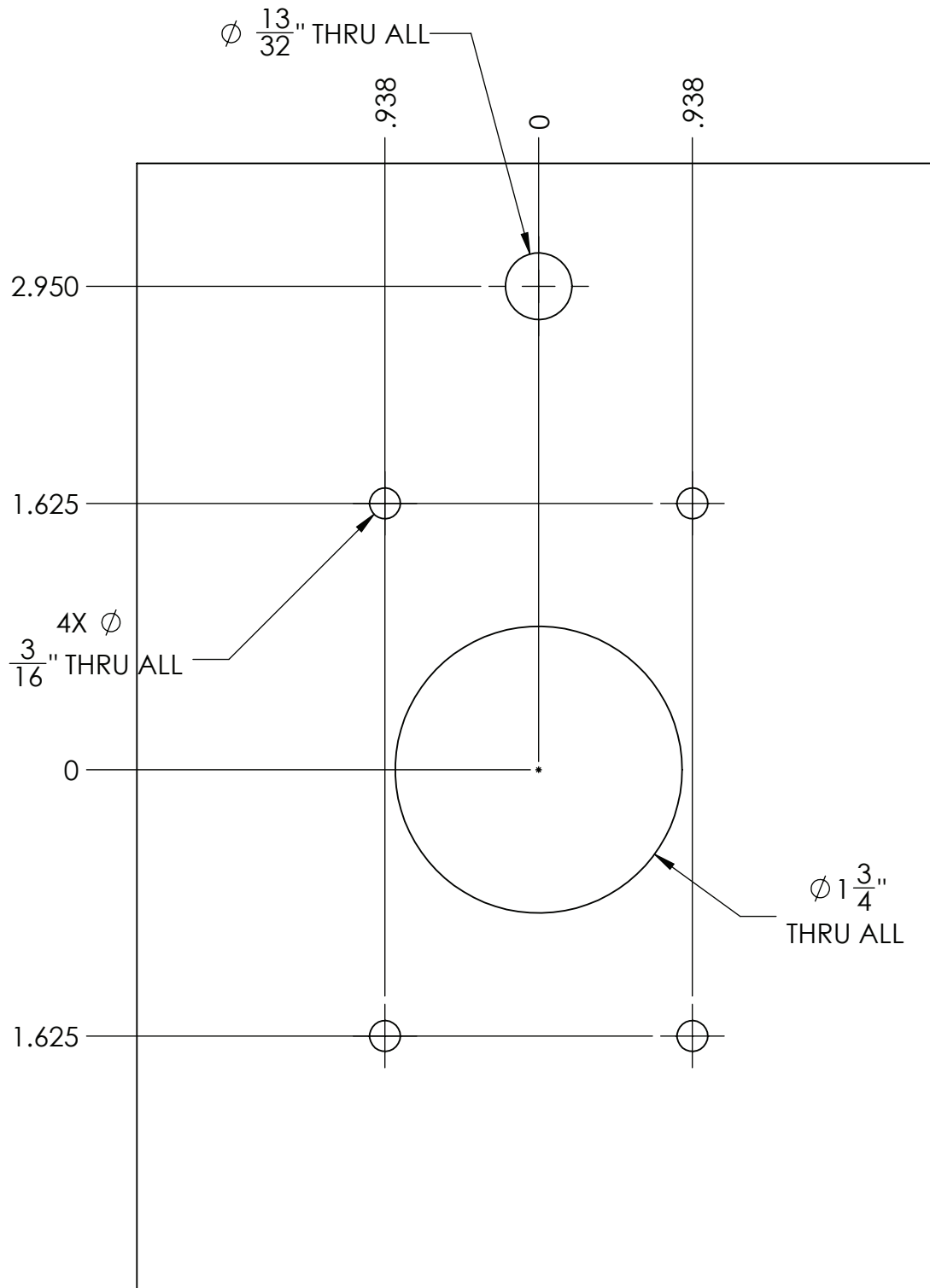


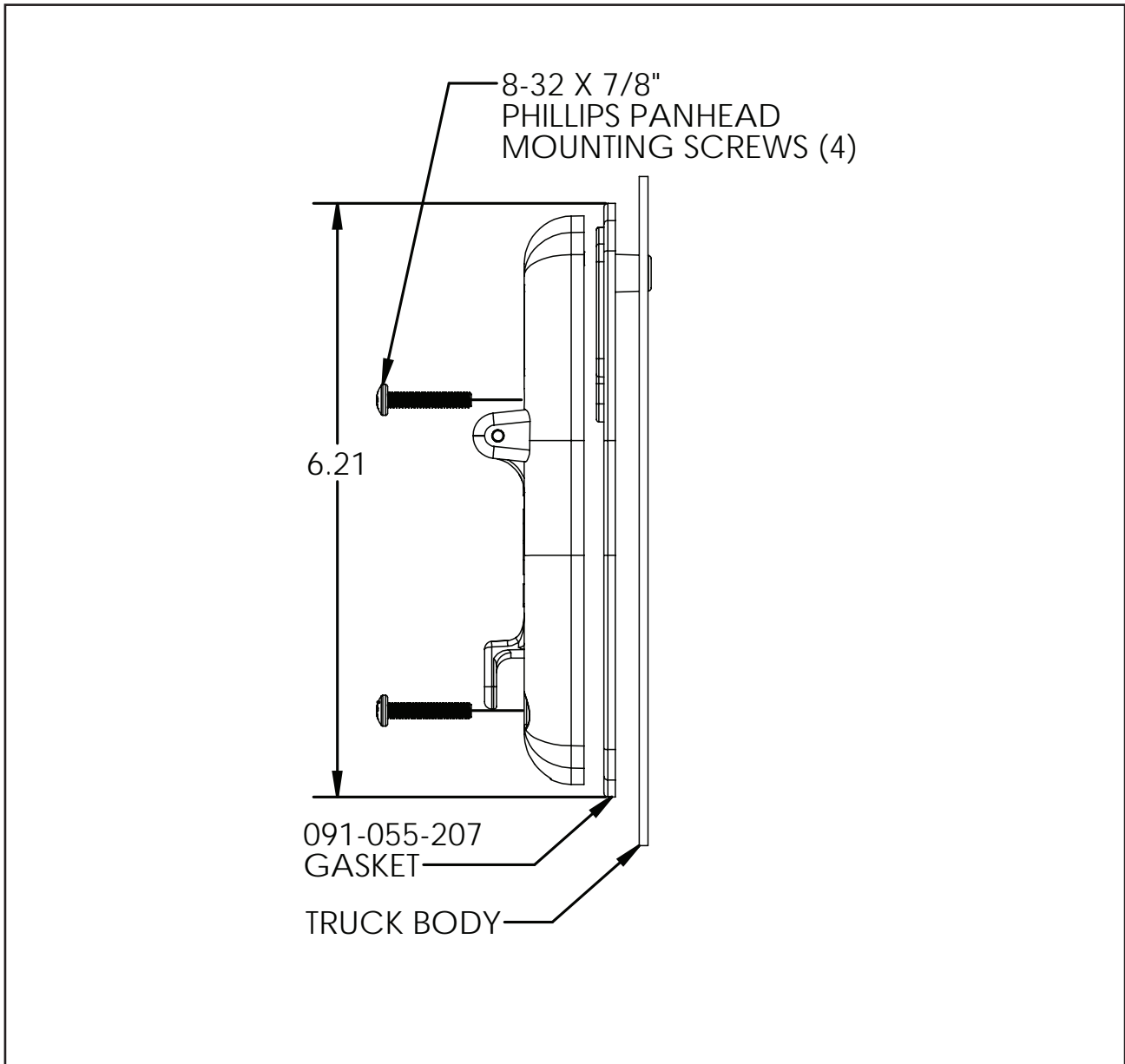
Figure 1: Hole Template

INSTALLATION INSTRUCTIONS

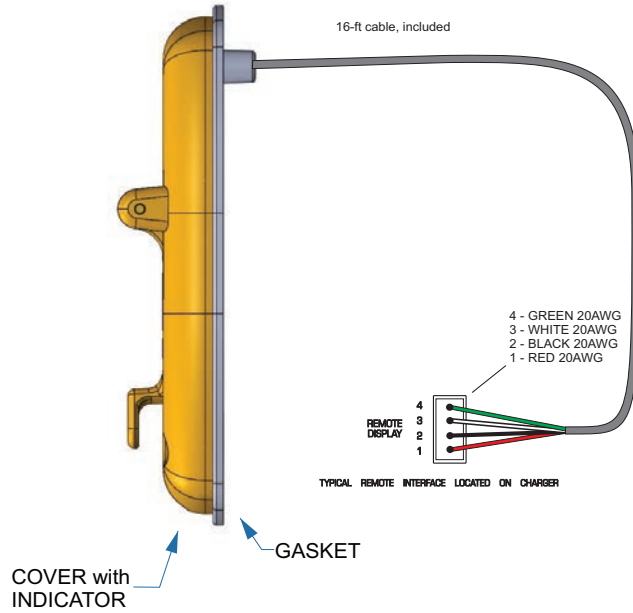
III. MOUNTING

1. Rubber gasket is premounted to the Deluxe Cover.
2. Install as shown in Figure 2: Cover and Gasket Mounting.
3. Insert (4) 8-32 X 7/8", PHILLIPS PANHEAD screws.

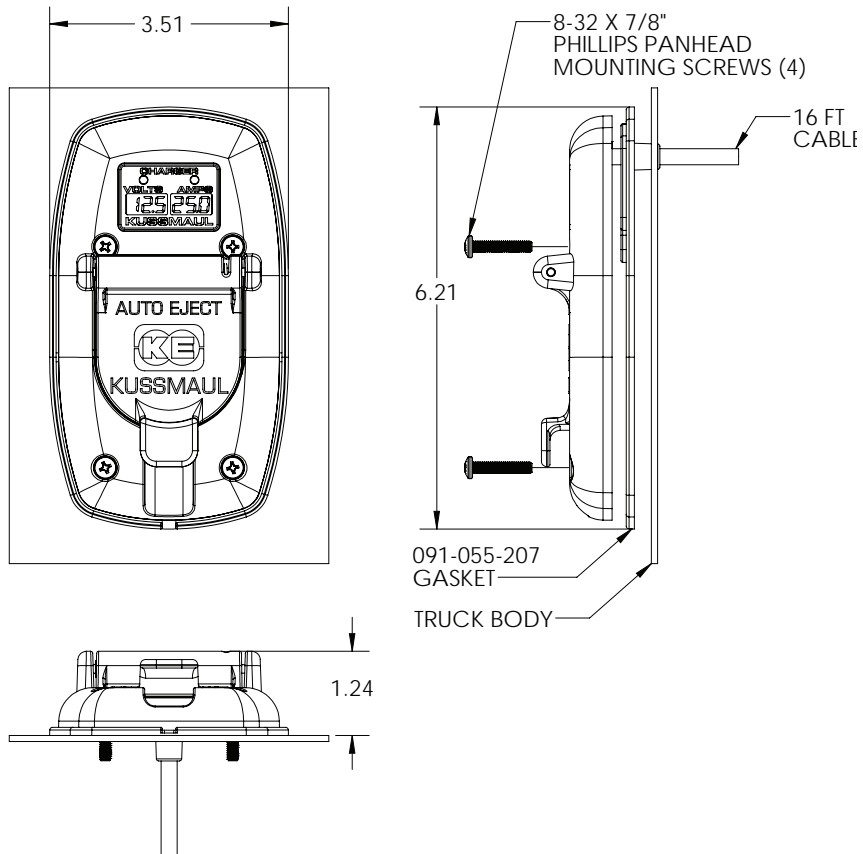
IV. COVER & GASKET MOUNTING: Figure 2



WIRING DIAGRAM



OUTLINE DRAWING



170 Cherry Avenue
West Sayville, NY 11796
www.kussmaul.com



Ph: 800-346-0857
Fax: 631-567-5826
sales@kussmaul.com

SPECIFICATIONS

Input Voltage: 12 to 30 VDC (32V absolute)
Input Current: 50mA,Max
Temperature Range: -40F to 120F
Volts and Amps Meter: +/- 1%
Current-limit: 194B-24: 20A, 194C-24: 45A
High Voltage: >29.6 VDC
Charged: 26.3 - 29.6 VDC
Charging: 26.2 - 26.6 VDC
Low Voltage: <26.6 VDC
Cord: 20 AWG, 4-conductor
Cord Type: 16 feet
Warranty: 3 year

INSTALLATION RECORD

DATE INSTALLED _____

INSTALLED BY _____

VEHICLE IDENTIFICATION _____

VEHICLE OWNER _____

WARRANTY POLICY

All products of Kussmaul Electronics are warranted to be free of defects of material or workmanship. Liability is limited to repairing or replacing at our factory, without charge, any material or defects which become apparent in normal use within 2 years from the date the equipment was shipped. Equipment is to be returned, shipping charges prepaid and will be returned, after repair, shipping charges paid.

Kussmaul Electronics shall have no liability for damages of any kind to associated equipment arising from the installation and/or use of the Kussmaul Electronics products. The purchaser, by the acceptance of the equipment, assumes all liability for any damages which may result from its installation, use or misuse, by the purchaser, his or its employees or others.



Members of
Fire and Emergency
Manufacturers and
Service Association



Members of
National Fire
Protection
Association



Members of
Fire Apparatus
Manufacturers
Association



170 Cherry Avenue
West Sayville, NY 11796
www.kussmaul.com



Ph: 800-346-0857
Fax: 631-567-5826
sales@kussmaul.com