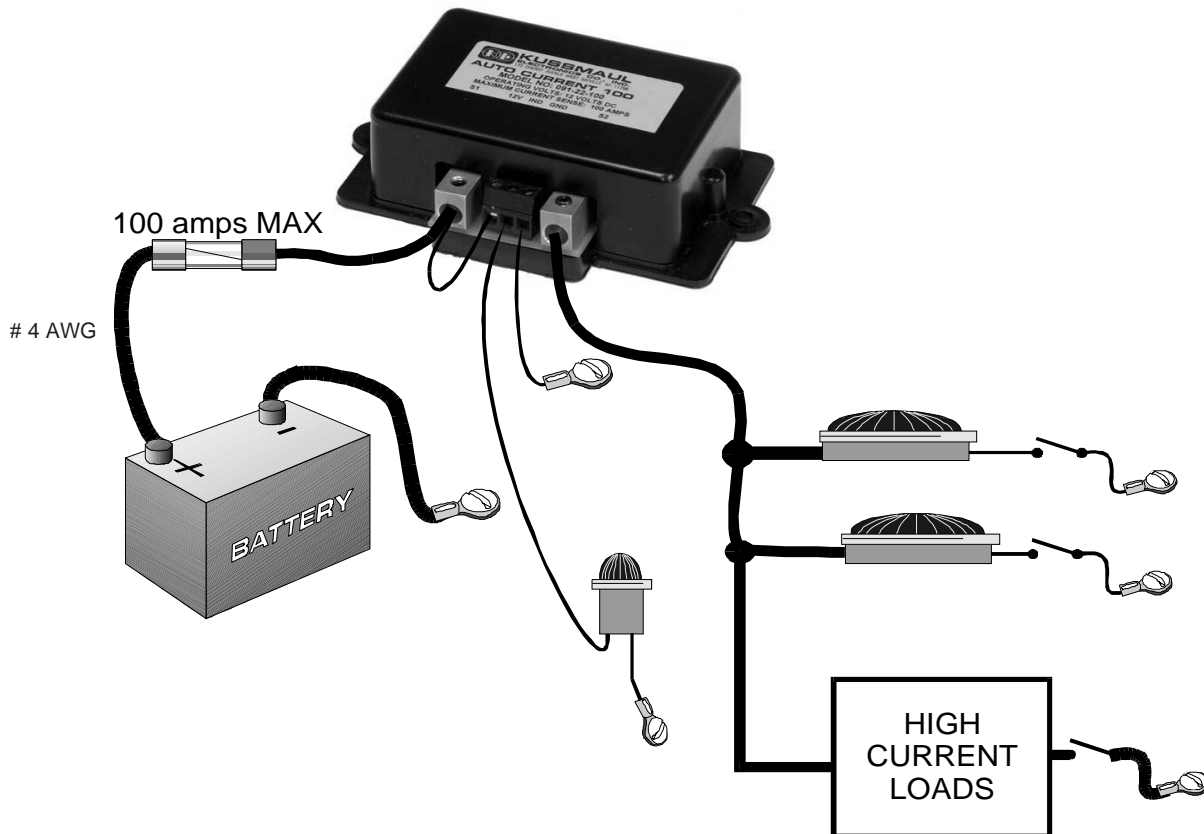


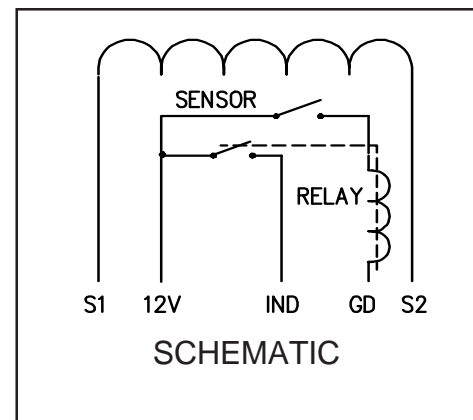
AUTO CURRENT 100

D.C. CURRENT SENSOR

INSTALLATION INSTRUCTIONS Model 091-22-100



The Auto Current detects current and closes a switch when the sensed current flows, to provide a remote indication. Designed for applications where a remote indicator must be illuminated when one or more lights or other loads are energized. By detecting load current any one, or more than one lamp, or other load will cause the indicator to light. The indicator circuit contains a relay which is operated by the sensor, indicator currents as high as 5 amperes may be driven by relay.



KUSSMAUL ELECTRONICS CO., INC.
 170 CHERRY AVE., WEST SAYVILLE, N.Y. 11796

TEL: in NY 631-567-0314

TOLL FREE: 800-346-0857

FAX: 631-567-5826