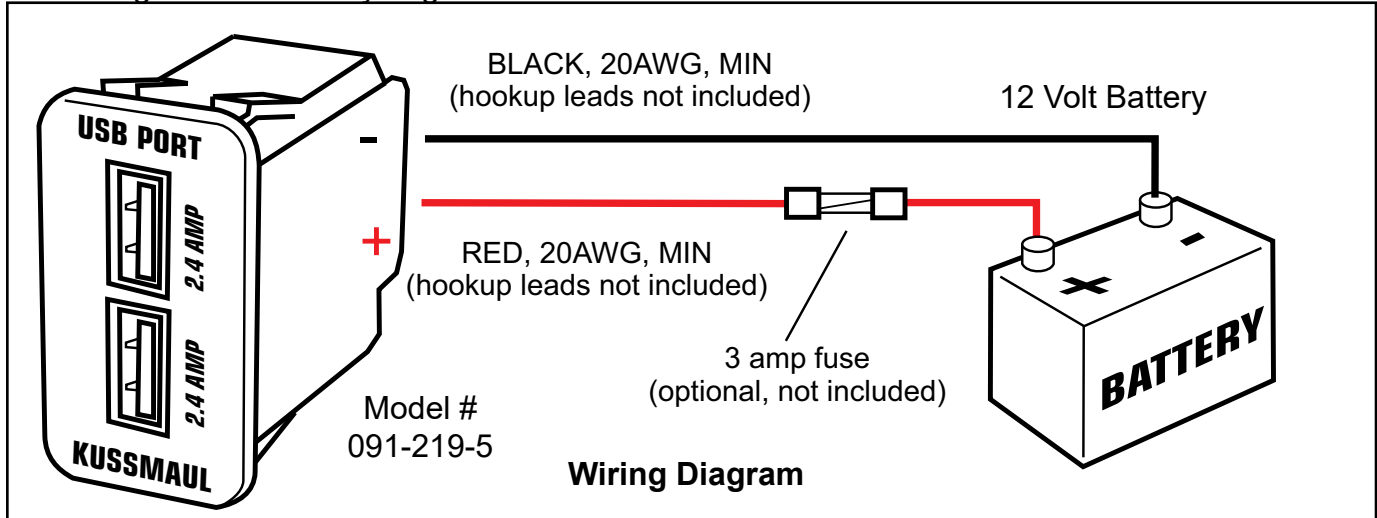


USB DUAL PORT

4.8 AMP DUAL USB CHARGING PORT, 12/24V

The 091-219-5 is a 4.8 Amp Dual USB Charging Port designed to fit into a standard 1.45" x 0.83" panel cut out. Connect the (+) terminal to either +12 or +24 volts continuous (battery positive) or switched 12/24 volt power (ignition). Connect the (-) terminal directly to chassis ground or battery negative.



Current Limit Protection - Each output of the USB charger is automatically current limited to approximately 3 Amps during overload and short-circuit conditions. During this condition, the LED will be extinguished. If an overload or fault condition is suspected, immediately disconnect all connected USB devices. The LED will illuminate and the outputs will return to normal operation as soon as the overload or fault condition is corrected.

Thermal Protection - The USB charger is internally protected from thermal overload. The outputs will shut-down and the front panel LED will extinguish if one or both outputs are overloaded. When the device cools to an acceptable temperature, the LED will illuminate and the outputs will return to normal operation.

Under-Voltage Lockout - The USB charger employs an under-voltage lockout feature to protect it from insufficient input voltages. If the input voltage to the USB charger falls below 5 Volts, the charger's output will be shut-down and the input power will need to be cycled in order to reset the fault condition.

Internally Fused - Internally fused so that external fuse is optional.

USB Output Ports

2.4 AMP - The ports are capable of charging devices at up to 2.4 Amps. Depending on the device, tablets and phones may charge at 0.5 or 1.0 Amp. Some Android tablets may charge at up to 1.5 Amps while connected to this port.

Terminals - 1/4" Male QD's

Specifications

Input Voltage - 10 to 30 VDC Nominal (10 to 32 VDC absolute min./max.) Meets SAE J1455

Input Current - 2.5 Amps at 12.0 VDC Input (with 4.8 Amp load)

USB Output Voltage - 4.8 to 5.2 VDC (0 to 4.8 Amp load)

USB Output Current - 4.8 Amps (maximum)

Ambient Temp Range - (-20C to 60C)

Warranty: 3 years