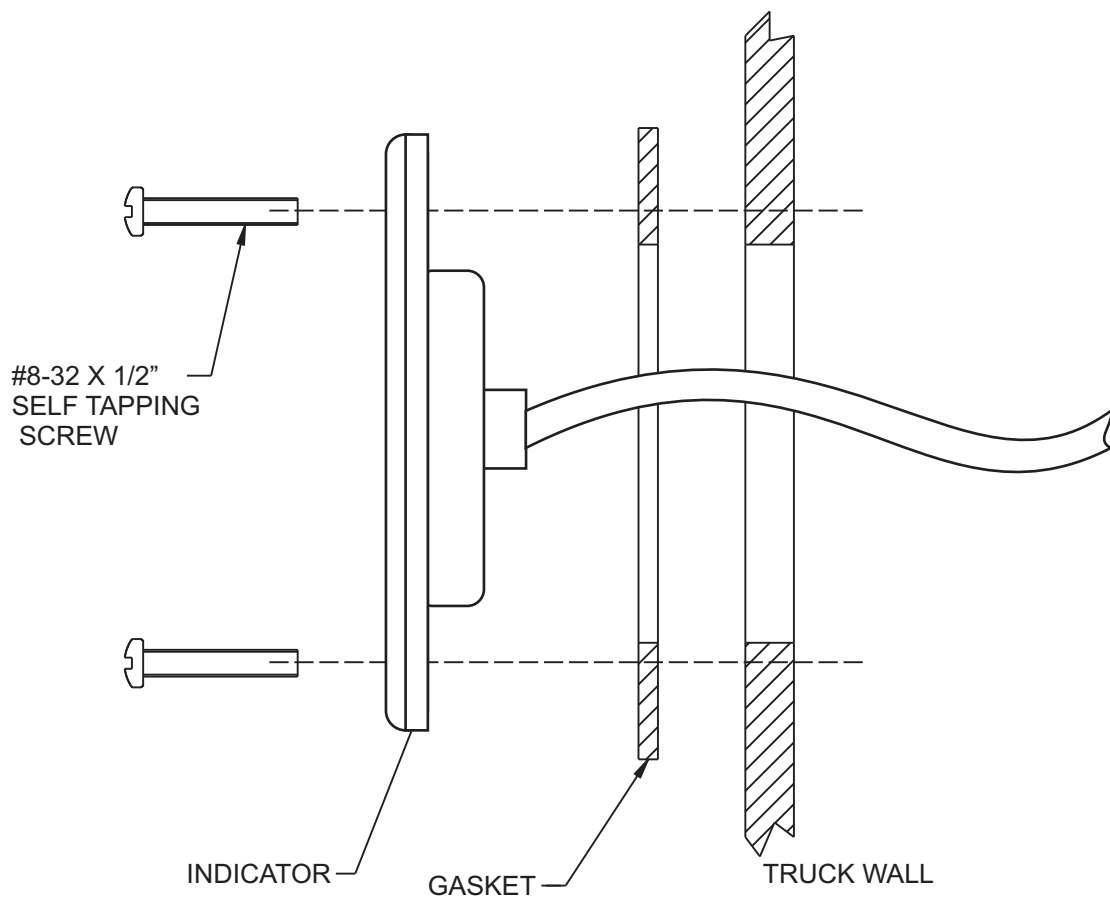
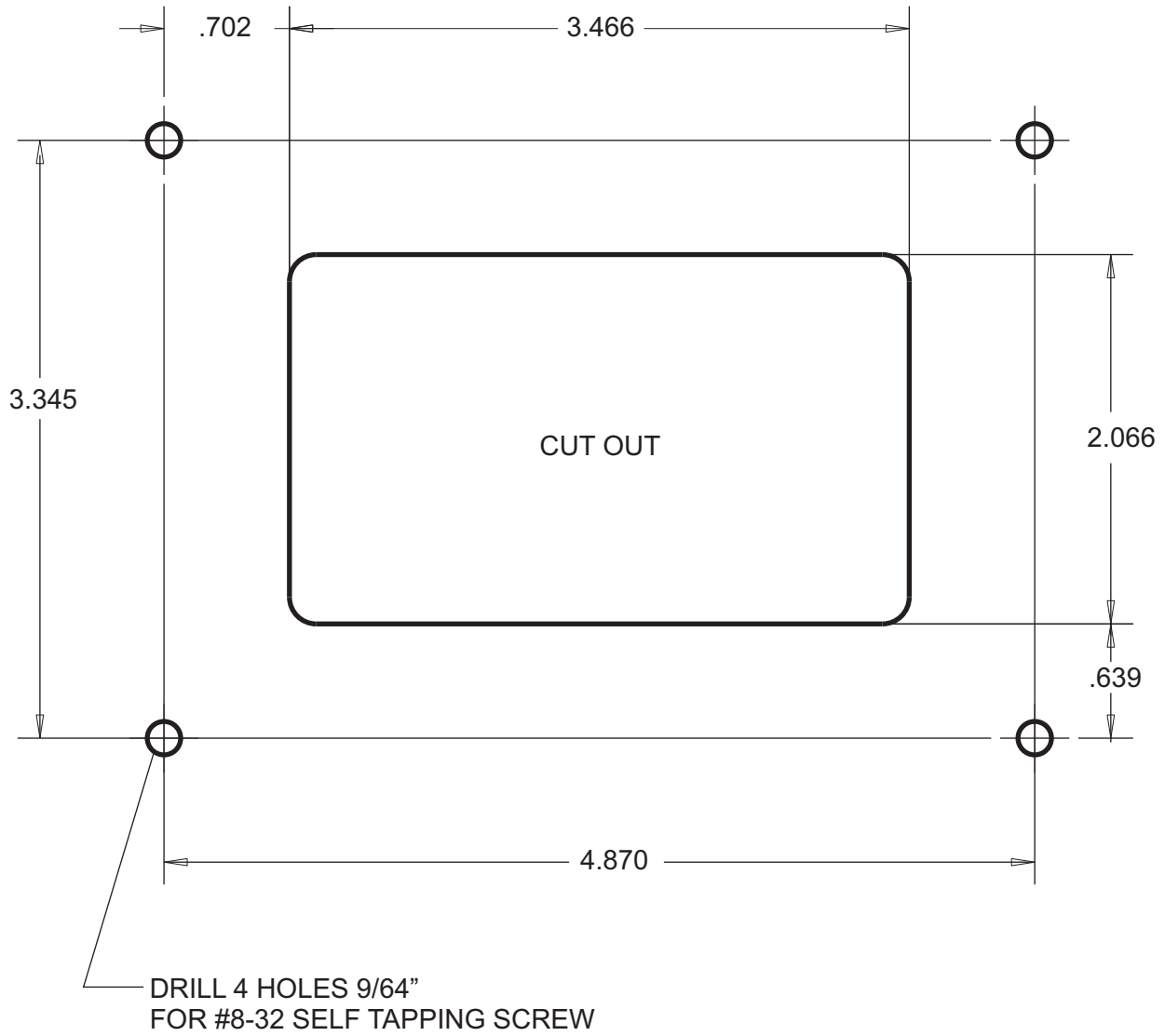


INDICATOR INSTALLATION

1. Locate Indicator in a convenient place on the vehicle.
2. Place the template (page 2) in position and center punch in 4 places.
3. Drill 9/64" Dia. Holes as shown.
4. Cut out inside hole.
5. Connect wiring to charger in accordance with the instructions in the charger installation instructions.
6. Install as shown.
7. Insert (4) #8-32 self tapping screws supplied and tighten.



HOLE TEMPLATE



Hole Template may not be to Scale, please check dimensions before using.