

INSTALLATION INSTRUCTIONS

AUTO CHARGE STATUS CENTER

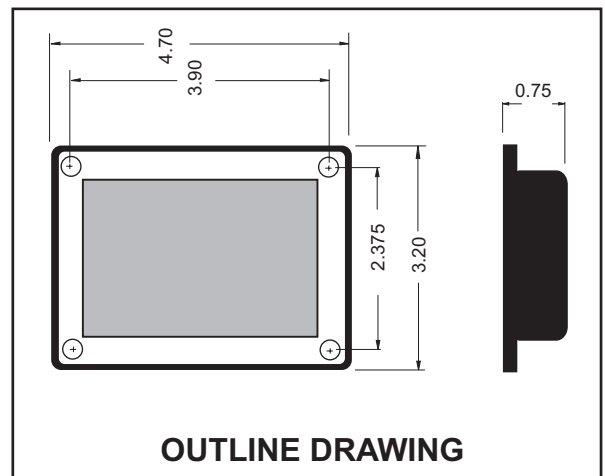
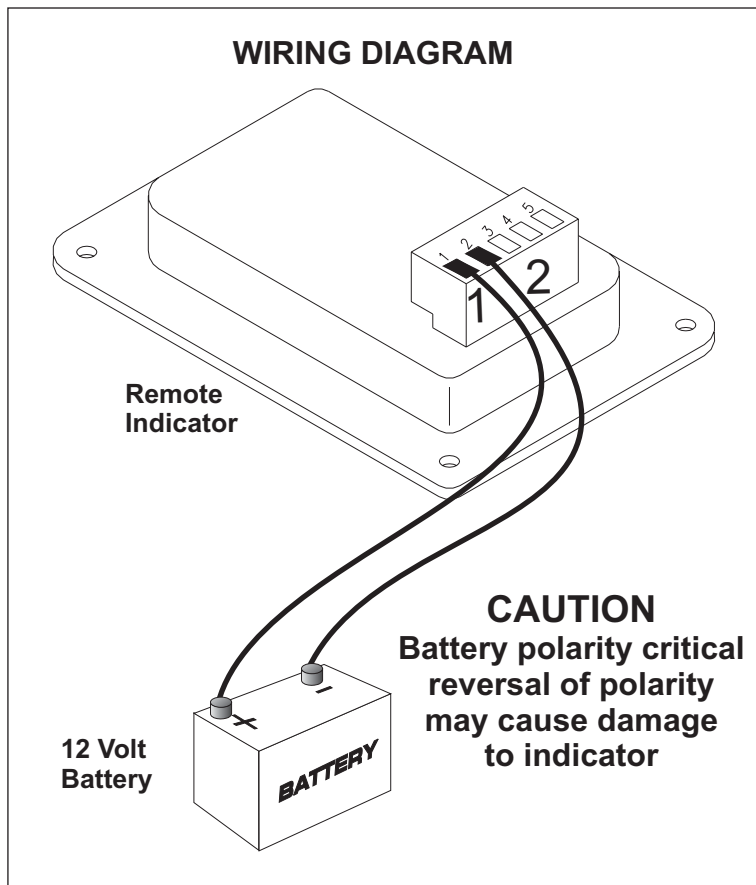
12 VOLT UNIVERSAL BATTERY STATUS INDICATOR

MODEL # 091-189-12

The Auto Charge Status Center is a universal indicator that indicates the vehicle's battery voltage. The indicator contains a 3 digit numerical voltage display and status LED's indicating HI VOLTAGE FULLY CHARGED, CHARGING and LOW VOLTAGE. The HI VOLTAGE and LOW VOLTAGE LED's blink to indicate that there may be a problem with the vehicles electrical system. The numerical display is accurate to 100 millivolts and has a current draw of only 30 milliamps.

The unit is designed to be mounted on the exterior of a vehicle so that the battery condition may be easily viewed. The indicator fits the Kussmaul standard indicator panel cut outs and comes with a 3 year warranty.

WIRING DIAGRAM



OPTIONAL INDICATOR SEAL

This is an optional rubber water tight seal designed to seal and protect the rear of the indicator.



Model # 091-39-109



SINCE 1967, DESIGNERS OF INNOVATIVE PRODUCTS

KUSSMAUL ELECTRONICS COMPANY, INC.

170 CHERRY AVENUE, WEST SAYVILLE, NY 11796, TEL: 631-567-0314, FAX: 631-567-5826, E-MAIL: sales@kussmaul.com