

## INSTRUCTION MANUAL

---

# E-Z Mounting Plate

For Air Ejects



MODEL #  
091-185-011



**KUSSMAUL ELECTRONICS CO., INC.**  
170 CHERRY AVE., WEST SAYVILLE, N.Y. 11796

Phone: 631-567-0314

Toll Free: 800-346-0857

Fax: 631-567-5826

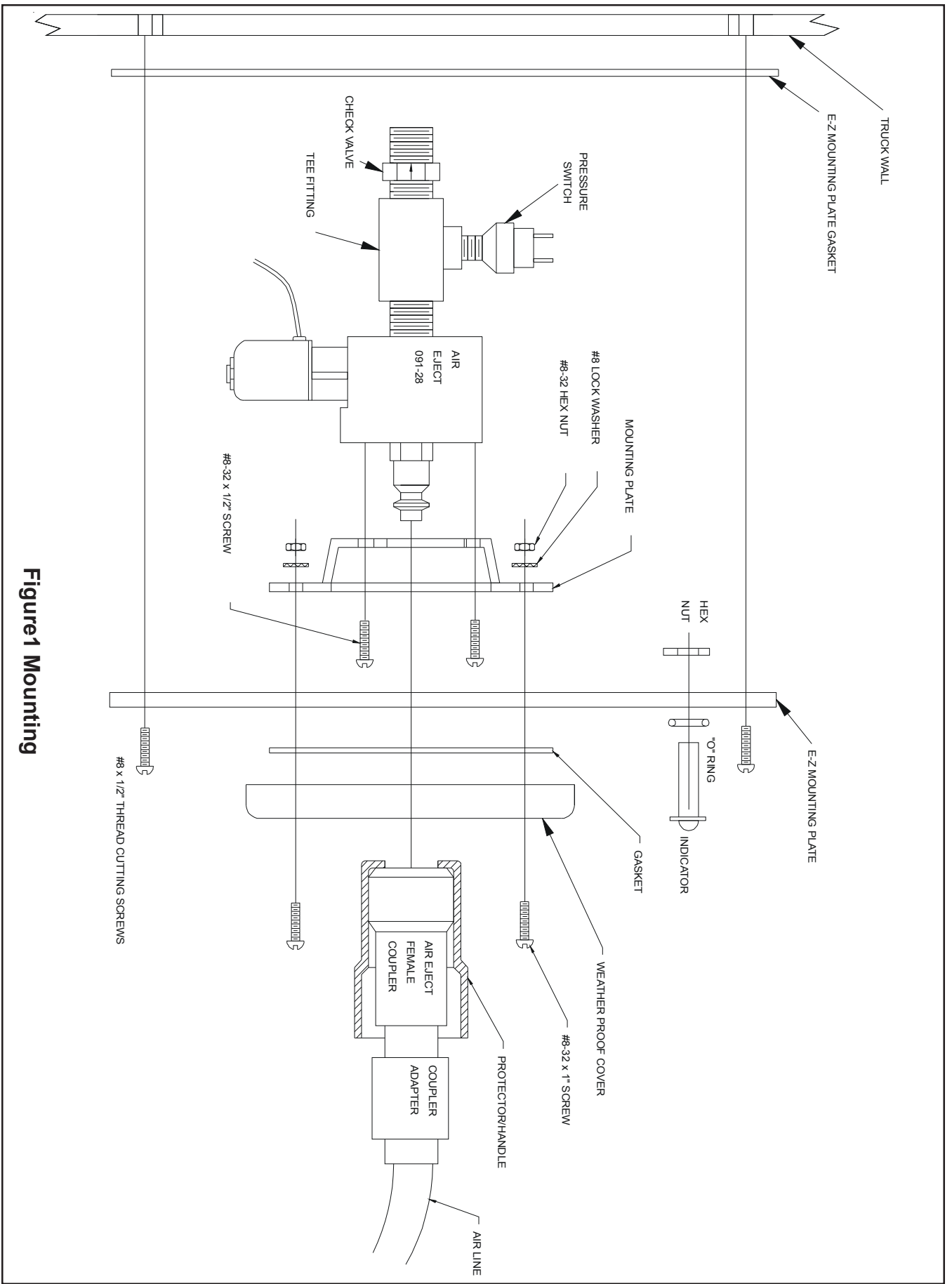
Web: [www.kussmaul.com](http://www.kussmaul.com)

E-Mail: [sales@kussmaul.com](mailto:sales@kussmaul.com)

## **E-Z MOUNTING PLATE INSTRUCTIONS**

---

1. Locate a convenient place on the vehicle to mount the 12 Volt Air Eject. A minimum clearance of 4 inches behind the mounting panel is required.
2. Place the Hole Template (Figure 2) in position and center punch in 4 places.
3. Drill 4 mounting holes, #29 drill (0.136" diameter). Be certain that all the holes are precisely located.
4. Cutout rectangular hole.
5. See Figure 1, Mounting. Install Weatherproof Cover, Weatherproof Cover Gasket, Indicator light, Air Eject assembly, 12 Volt Air Eject Weatherproof Adapter Kit 091-28AK and Air Eject Indicator Kit 091-28-IND to E-Z Mounting Plate.
6. Install this assembly and E-Z mount gasket into cutout in truck wall using (4)#8-32 x 1/2" self tapping screws provided.
7. Use the 12 Volt Air Eject 091-28, 091-28-IND and 091-28AK instruction manuals for wiring and mounting information.



**Figure1 Mounting**

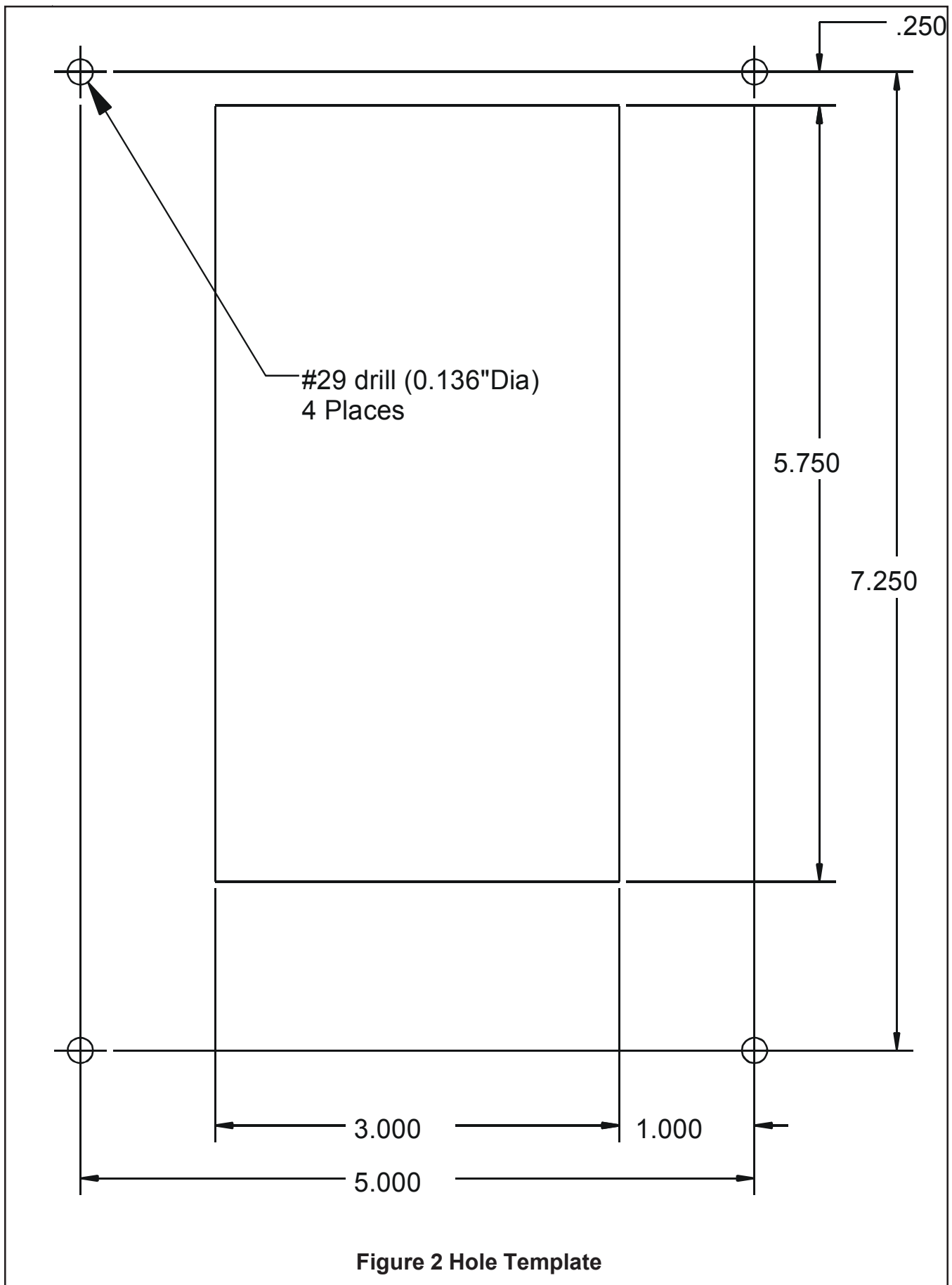


Figure 2 Hole Template