

INSTRUCTION MANUAL

AUTO POWER
DC TO DC POWER CONVERTER

MODEL #091-136-24-12

INPUT: 24 VOLTS DC
OUTPUT: 12 VOLTS, 3 AMPS DC
OUTPUT RIPPLE: 10 mv. RMS, maximum

3 YEAR WARRANTY



KUSSMAUL ELECTRONICS CO., INC.

170 CHERRY AVE., WEST SAYVILLE, N.Y. 11796

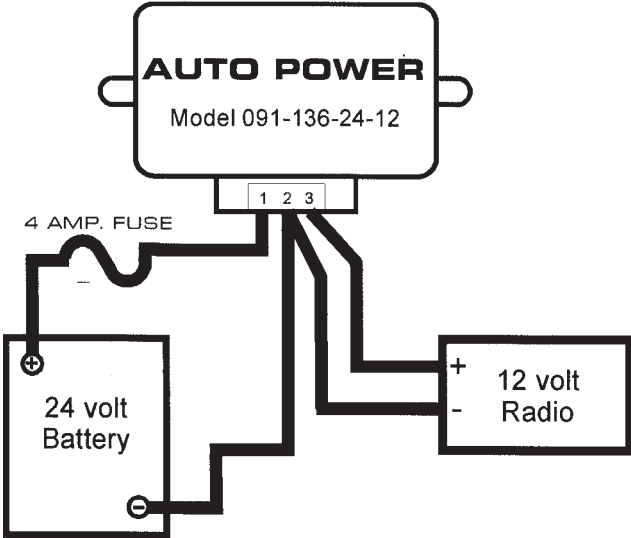
1

INTRODUCTION

The Model 091-136-24-12 is a switching power converter designed to operate a 12 volt device from a 24 volt battery. The output is filtered to provide an extremely low ripple so as not to interfere with a radio or other sensitive electronic devices. The device is vented and should be mounted in a dry location with adequate spacing to permit air circulation.

INSTALLATION

Install the input and output wires, #16 AWG minimum, as illustrated in the installation wiring diagram.



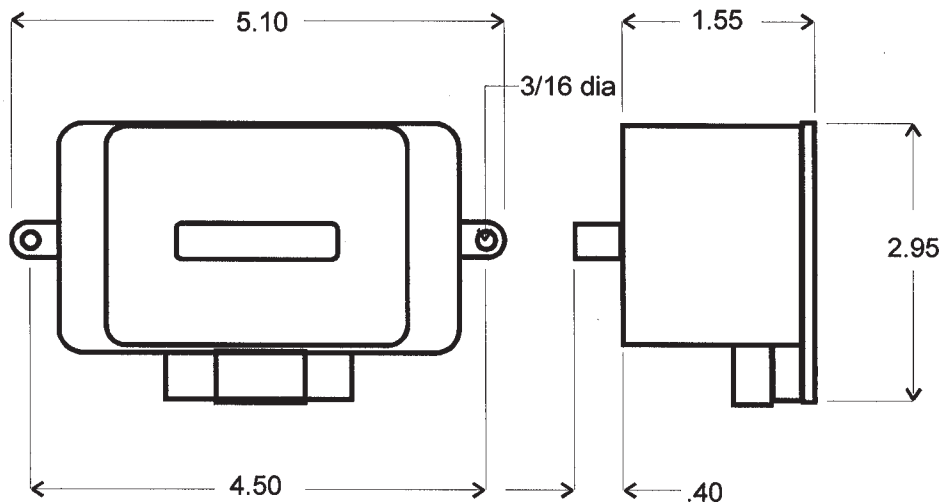
INSTALLATION WIRING

SPECIFICATION AND OUTLINE

INPUT: 26 +/- 4 volts D.C.

OUTPUT: 12.5 +/- .5 volts @ 3 amps. Maximum

OUTPUT RIPPLE: 10mv. RMS. maximum



WARRANTY

All product of Kussmal Electronics Company Inc. are warranted to be free of defects of material or workmanship. Liability is limited to repairing or replacing at our factory, without charge, any material or defects which become apparent in normal use within 3 years from the date the equipment was shipped.

Kussmal Electronics Company, Inc. shall have no liability for damages of any kind to associated equipment arising from the installation and /or use of the Kussmal Electronics Company, Inc. products. The purchaser, by the acceptance of the equipment, assumes all liability for any damages which may result from its installation, use or misuse, by the purchaser, his or its employees or others.