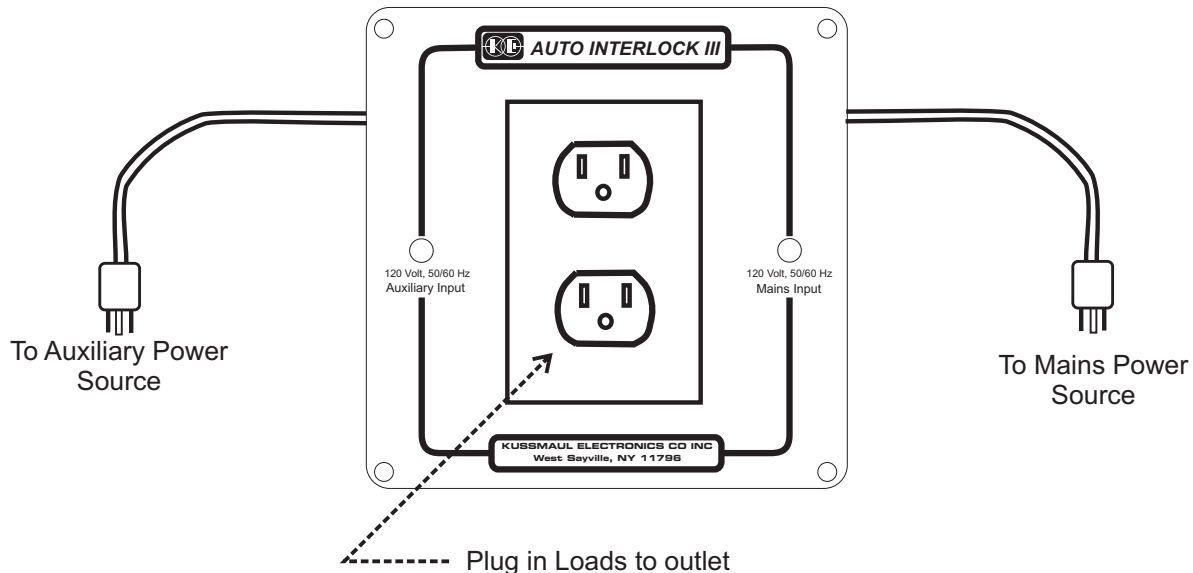


INSTALLATION INSTRUCTIONS

Model 091-134A

AUTO INTERLOCK III



The Model 091-134A AUTO INTERLOCK III is an automatic power transfer relay designed to switch a load from the normal power source to an auxiliary generator. As soon as the voltage from the mains line is lost, the relay is deenergized and the output is disconnected from the Main Input and connected to the Auxiliary Input. As soon as the mains line is activated, the relay is energized and the load is reconnected to the Main Input.

NOTE: This device contains no fuses or circuit protection devices. User please be certain that these are provided in the power source

SPECIFICATIONS:

Voltage: 120 volts, 50/60 Hz

Current: 15 amperes

Relay Contact Rating: 30 amperes, A.C.

170 Cherry Avenue
West Sayville, NY 11796
www.kussmaul.com

 **KUSSMAUL™**
ELECTRONICS
ENERGIZED AND READY, WHEN SECONDS COUNT

Ph: 800-346-0857
Fax: 631-567-5826
sales@kussmaul.com

File: IM_091-134A_revA.cdr
Rev: A
Revised By: PSS
Date: 3-05-2015