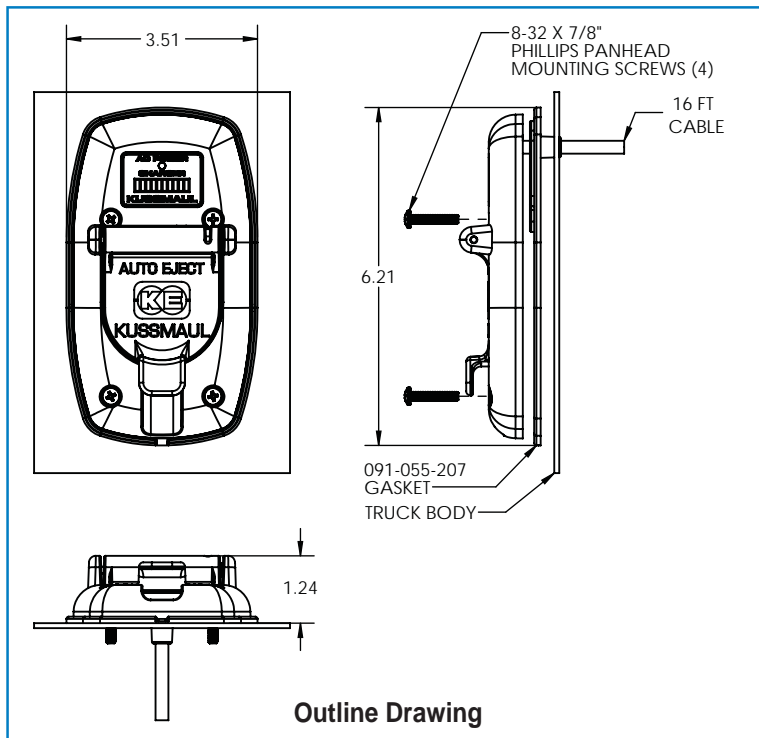


SUPER AUTO EJECT DELUXE COVER with Bar Graph Display

Features

- Incorporates Auto Eject Cover and Display into one product
- Detects high and low voltage on the vehicle battery and indicates status with a Red 10 LED Bar Graph
- Cover with lid that opens 180° to prevent breakage
- Includes a premolded rubber rear gasket
- Works with most **Kussmaul** battery chargers
- Available in color options, indicate color (- XXX*) when ordering: Blue (BL), Black (BLK), Gray (GY), Red (RD), White (WH) and Yellow (YW)
- 3 year warranty



Specifications:

Input Voltage: 12 to 30 VDC (32V absolute)

Input Current: 50mA, Max

Temperature Range: -40F to 120F

Bar Graph Range: 12-13 +/- 2% (bottom to top)

Low Voltage: < 12.0 VDC

High Voltage: >14.8 VDC

Cord: 20 AWG, 4- conductor

Cord Type: 16 feet

Warranty: 3 year

Part Number	Description	Electrical Data		Dimensions			Wgt.
		DC Volts	DC Amps	L	W	D	
091-55 -234-XXX*	Super Auto Eject Deluxe Cover w/ Bar Graph	12-30	50mA	6.21"	3.51"	1.24"	.2 lbs

Rev. A. 06-19-18