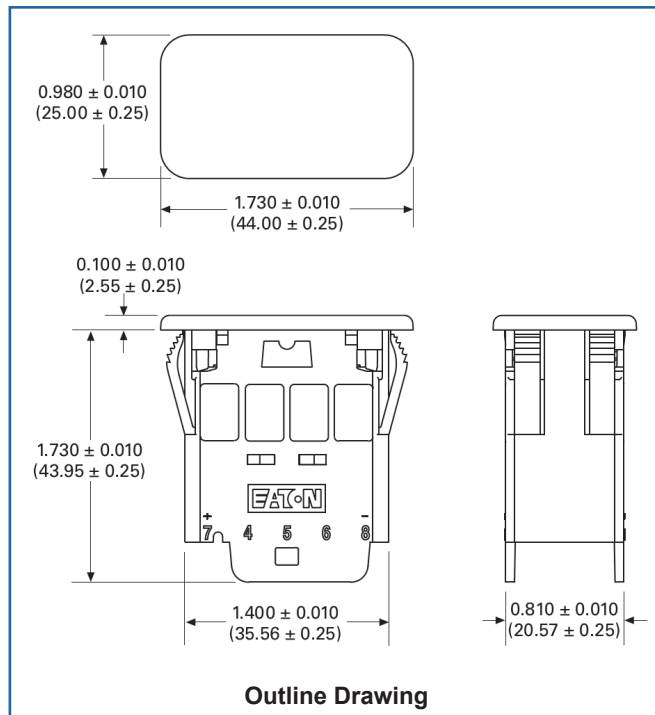


DATA PORT

Provides Access to Router

Features

- Provides access to router
- Designed for easy installation in vehicle switch panels
- Standard RJ45 Connector
- Category 3, 5E, 6, & 6A performance
- EIA/TIA 568A/B compliant ensuring compatibility and reliability
- Fully stamped shielding offers isolation from EMI/RFI



Specifications:

RJ45 connectors

Straight through wiring

Category 3, 5E, 6, & 6a

EIA/TIA 568A/B compliant

Temperature Range: -50°F to +150°F

Cutout Size: 1.45" x 0.83"

Warranty: 3 Years



Part Number	Description	Dimensions			Wt.
		L	W	D	
091-227	Data Port	1.73"	0.98"	1.73"	0.5