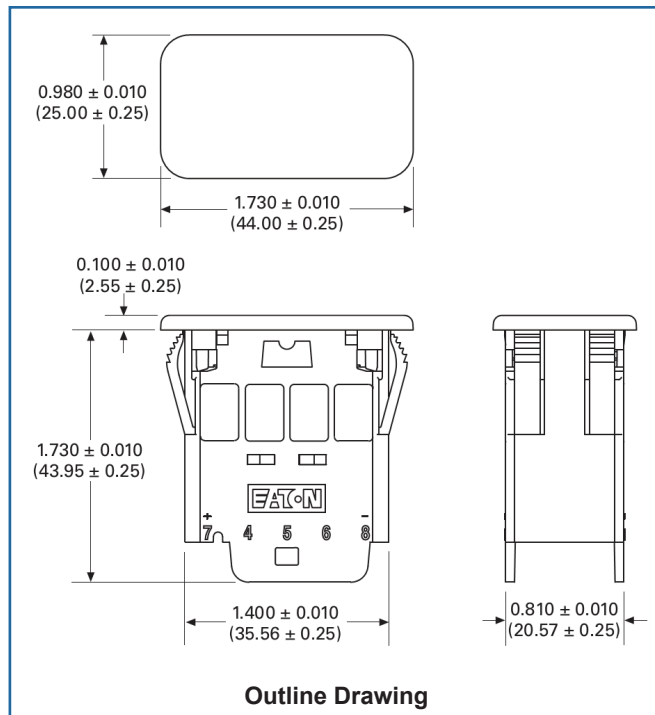


PHONE PORT

Provides Access to Telephone

Features

- Provides access to telephone or data
- Designed for easy installation in vehicle switch panels
- Standard RJ11 Connector
- 4-Wire
- Panel mount for quick installation



Specifications:

RJ11 connectors

Straight through wiring

Temperature Range: -50°F to +150°F

Cutout Size: 1.45" x 0.83"

Warranty: 3 Years

Part Number	Description	Dimensions			Wt.
		L	W	D	
091-227-RJ11	Phone Port	1.73"	0.98"	1.73"	0.5