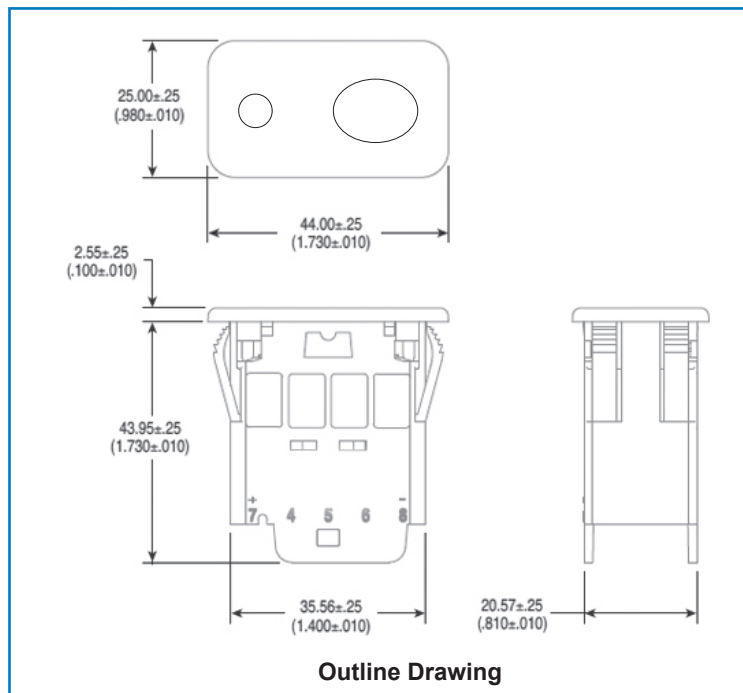


# AUTO TOUCH

## Low-Side Touch Sensitive Switch

### Features

- Touch-On / Touch-Off switch
- Built-in LED illuminates when switch is on
- Lexan front panel for years of durability
- Reverse polarity protected
- Designed for easy installation in vehicle switch panels
- Available as toggle or momentary operation
- When ordered as a toggle switch:
  - place finger on ON/OFF area to toggle on and repeat to toggle off
- When ordered as a momentary switch:
  - place and hold finger on ON/OFF area to turn on



Outline Drawing

### Specifications: Auto Touch

**Input Voltage:** 8-20 Vdc

**Quiescent Current:** 0.020 Amps Max

**Switch Rating:** 5.0 Amps Max

**Cut-Out Size:** 1.45" x .83"

**Warranty:** 3 Years



Part Number	Description	Electrical Data		Dimensions			Wgt.
		DC Volts	Quiescent Current	L	W	D	
091-222	Auto Touch, Toggle Switch	8-20	0.020 Amps Max	1.73"	.98"	1.73"	.25
091-222-MOM	Auto Touch, Momentary Switch	8-20	0.020 Amps Max	1.73"	.98"	1.73"	.25