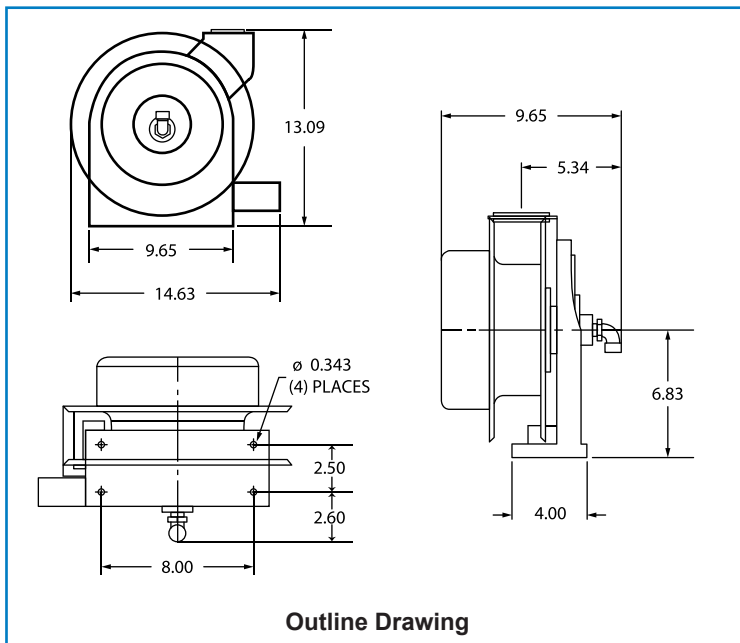


Auto Reel -AS

Automatic Cord Reel With Auto Safe

Features

- **Automatic shoreline retraction** and storage compatible with Auto Eject or by manual disconnection
- **Reduce tripping hazard and liability** by removing hazardous cord on the ground
- **Increase productivity during emergency dispatch** by automating the electrical disconnection process
- **Auto Safe** disconnects power from the shoreline, and **prevents hazards** from a severed or wet power cord
- Ceiling or Wall mounted – curved edges for **safe and easy mounting**
- Adjustable Guide Arm provides field adjustment for the slack length of wound cord
- Robotically-welded heavy gauge steel frame, long life retraction spring, and high quality PVC hose offer **maximum strength**
- Powder coat, corrosion resistant paint keeps its **consistent quality**
- **2 year warranty**



Specifications: Auto Reel

- Reel Cord Length:** 45 ft.
- Max Reel Amps:** 20 Amperes
- Min Reel Amps:** 0.050 Amperes
- Volts:** 105-125 VAC
- Cord:** #12 AWG
- Cord Type:** SJO
- Length:** 14 5/8 in.
- Width:** 9 3/8 in.
- Height:** 13 1/4 in.
- Weight:** 30 lbs
- Warranty:** 2 Years

Part Number	Description	Electrical Data		Dimensions			Wgt.
		AC Volts	AC Amps	L	W	D	
091-220-20-120-AS	Auto Reel /w Auto Safe	105-125	0.050 - 20	14 5/8"	9 3/8"	1.73"	30 lbs