

ADD-A-BAT

BATTERY CHARGER & COMBINER



MODEL # 091-171-12

The Add-A-Bat provides a battery charger for the vehicle's battery as well as the newly installed auxiliary battery. The accessories are connected to the auxiliary battery and thus reduces the burden on the vehicle's battery. A high current solenoid connects the two batteries whenever the alternator output is detected. This charges both batteries when the engine is running. An Auto Boost feature parallels the batteries for engine cranking whenever the auxiliary battery has sufficient charge.

SPECIFICATIONS: ADD-A-BAT

Input: 120 Vac, 50/60 Hz, 4.7 Amps Max

Input Fuse: 8 Amps, Fast Acting

Output: 12 Vdc, 20 Amps

Output Fuse (Recommended): 40 Amps

Charge Indicator: 0-25 Amps

Weight: 23 lbs

Warranty: 3 Years

SPECIFICATIONS: SOLENOID

Volts: 12 Vdc

Coil Current: .65 Amps

Contact Rating: 200 Amps Continuous / 600 Amps Surge

Weight: 2 lbs

Warranty: 3 Years

ADD A BATTERY TO ANY VEHICLE TO POWER ACCESSORIES

AUTOMATICALLY PARALLELS BATTERIES WHEN ENGINE IS RUNNING

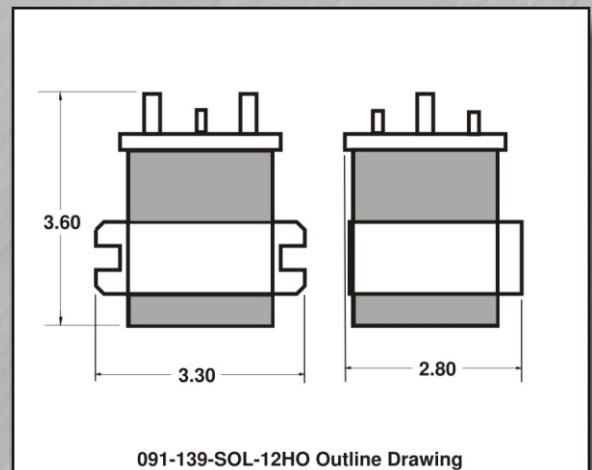
ISOLATES BATTERIES WHEN ENGINE IS STOPPED

AUTO BOOST PARALLELS BATTERIES FOR ENGINE START

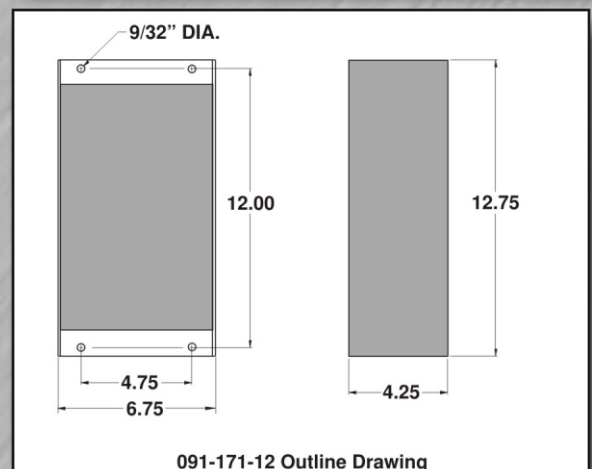
AUTOMATIC BATTERY CHARGER TO MAINTAIN BOTH AUXILIARY AND MAIN BATTERIES

BAR GRAPH DISPLAY INDICATES BATTERY VOLTAGE AND CHARGER OUTPUT CURRENT

ALL ACCESSORIES MAY BE CONNECTED TO AUXILIARY BATTERY



091-139-SOL-12HO Outline Drawing



091-171-12 Outline Drawing



ENERGIZED AND READY, WHEN SECONDS COUNT

170 Cherry Avenue, West Sayville, NY 11796-1221, Toll Free: 800-346-0857, Fax: 631-567-5826, Web: <http://www.kussmaul.com> E-Mail: sales@kussmaul.com