

AUTO INTERLOCK IV

AUTOMATIC TRANSFER SWITCH



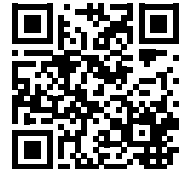
MODEL #: 091-197

INPUT: 120/240 VOLTS, 50/60 HZ AC, 50 AMPS

[CAUTION: 240V 3-WIRE ONLY]

File: IM_091-197_revA
Rev: A
Revised By: PSS
Date: 04-20-2012

3 YEAR WARRANTY



scan using your mobile device for more information

170 Cherry Avenue
West Sayville, NY 11796
www.kussmaul.com



Ph: 800-346-0857
Fax: 631-567-5826
sales@kussmaul.com

INTRODUCTION

The Model 091-197 Auto Interlock IV is an automatic power transfer relay designed to switch loads from shoreline to an auxiliary input, typically a generator.

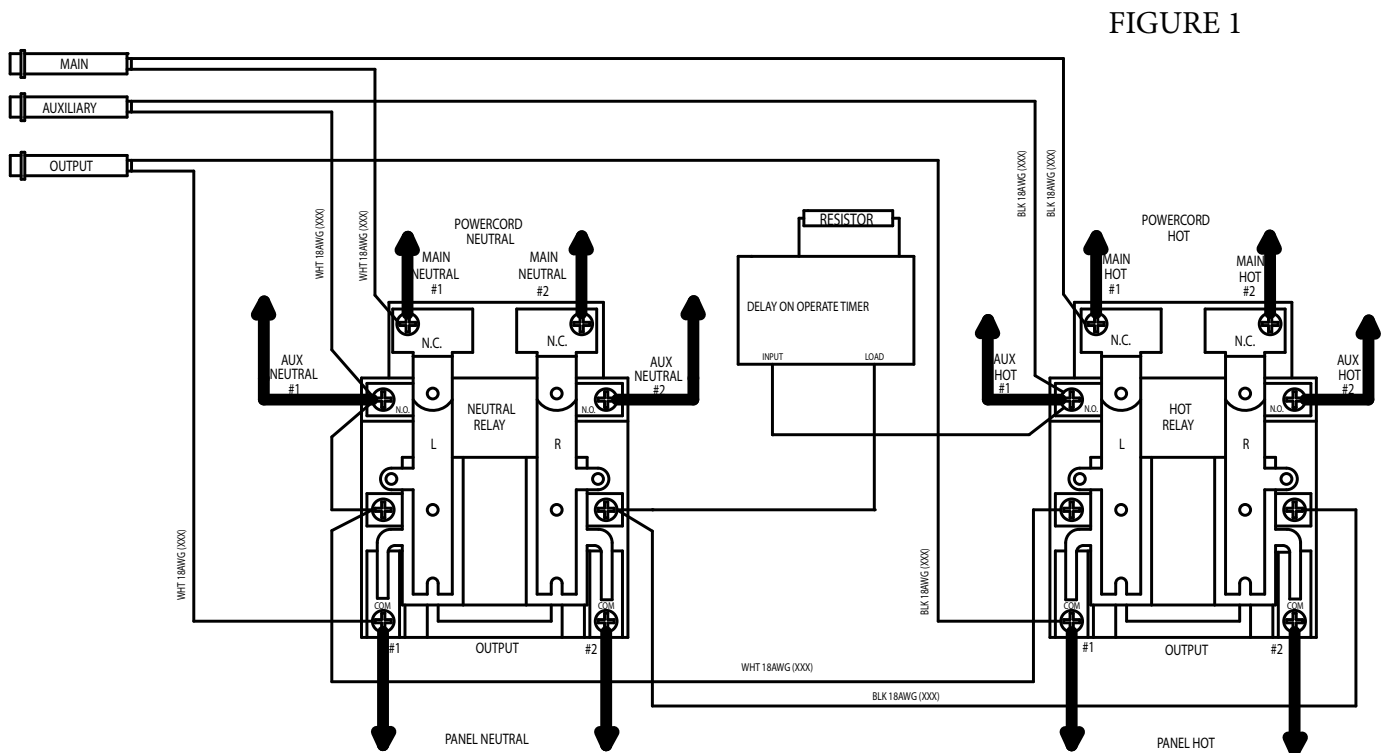
As soon as voltage from the auxiliary input is sensed a delay-on-operate relay is initialized. The delay-on-operate is a factory programmed timer, which delays the transfer switch operation.

Once activated the delayed relay energizes the transfer relay coils and the output is disconnected from the main input and connected to the auxiliary input.

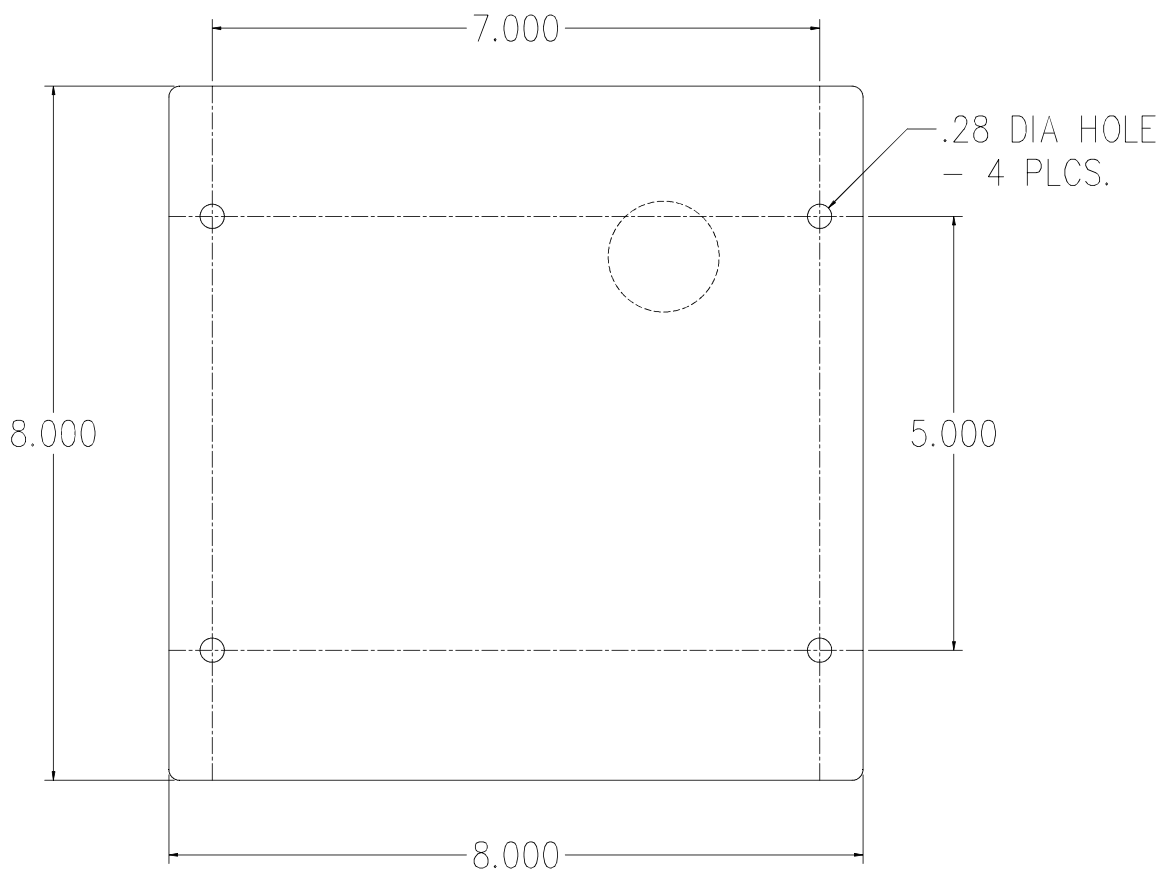
INSTALLATION

1. Open hinged cover.
2. Wire in accordance with FIGURE 1 using cable strain relief clamps.
3. Ensure external wire AWG is sufficient to carry 50 Ampere load current.
4. Reinstall cover.

WIRING DIAGRAM



OUTLINE DRAWING



BOTTOM VIEW

Specifications:

Input Voltage: 120/240 Volts A.C, 50/60 Hz
(240V 3-WIRE ONLY)

Input Amps: 50 Amps Max.

Weight: 8 lbs.

INSTALLATION RECORD

DATE INSTALLED _____

INSTALLED BY _____

VEHICLE IDENTIFICATION _____

VEHICLE OWNER _____

WARRANTY POLICY

All products of Kussmaul Electronics Company Inc. are warranted to be free of defects of material or workmanship. Liability is limited to repairing or replacing at our factory, without charge, any material or defects which become apparent in normal use within 3 years from the date the equipment was shipped. Equipment is to be returned, shipping charges prepaid and will be returned, after repair, shipping charges paid.

Kussmaul Electronics Company, Inc. shall have no liability for damages of any kind to associated equipment arising from the installation and/or use of the Kussmaul Electronics Company, Inc. products. The purchaser, by the acceptance of the equipment, assumes all liability for any damages which may result from its installation, use or misuse, by the purchaser, his or its employees or others.



Members of
Fire and Emergency
Manufacturers and
Service Association



Members of
National Fire
Protection
Association



Members of
Fire Apparatus
Manufacturers
Association



170 Cherry Avenue
West Sayville, NY 11796
www.kussmaul.com



Ph: 800-346-0857
Fax: 631-567-5826
sales@kussmaul.com