

INSTALLATION INSTRUCTIONS

AUTO CHARGE DUAL STATUS CENTER

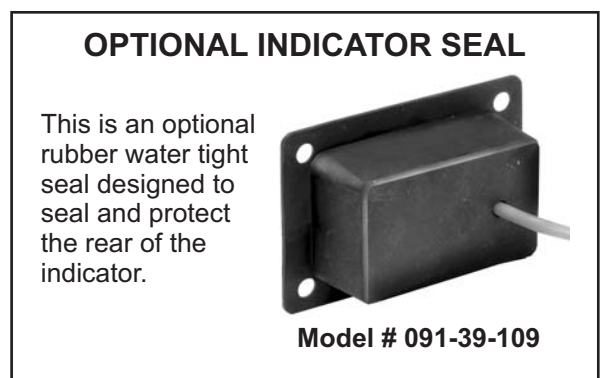
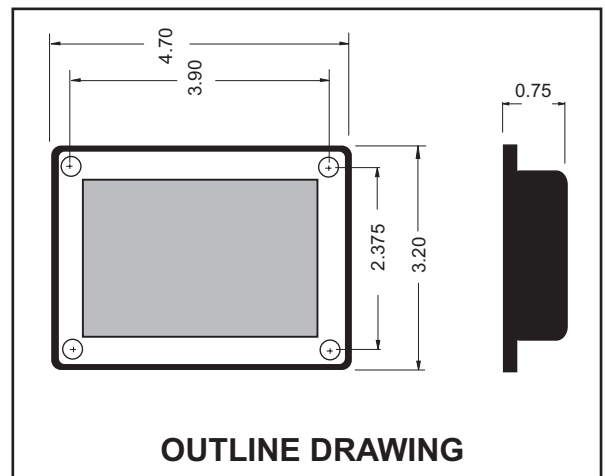
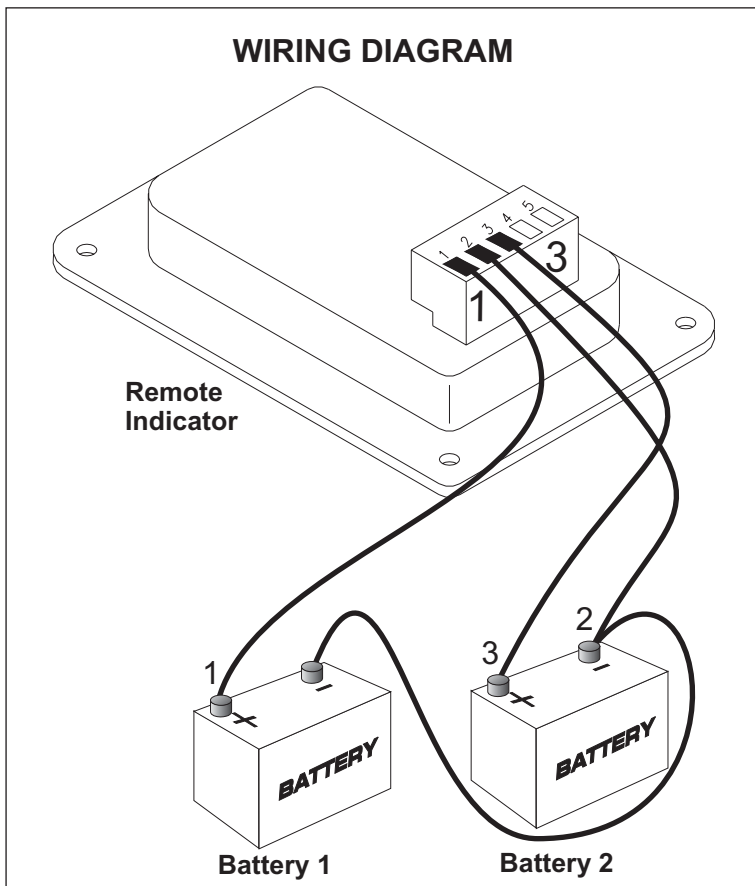
12 VOLT DUAL UNIVERSAL BATTERY STATUS INDICATOR

MODEL # 091-189-2-12-3.5D

The AUTO CHARGE PRECISION STATUS CENTER is a universal indicator for vehicles with dual battery systems. The unit indicates battery voltage and displays the condition of the batteries via LED's: HI VOLTAGE, FULLY CHARGED, CHARGING and LOW VOLTAGE. The status indicator continuously toggles between battery #1 and battery #2 alternately indicating the condition of both batteries.

In addition to the LED status indicators, a 3 ½-digit indicator displays each battery's voltage with an accuracy of 30 millivolts and draws a maximum of 35 milliamperes from the battery.

The unit is designed to be mounted on the outside of a vehicle so as to readily indicate the battery condition. The indicator fits the Kussmaul standard indicator panel cut outs, and comes with a 3-year warranty.



CAUTION: Battery polarity critical, reversal of polarity may cause damage to indicator



SINCE 1967, DESIGNERS OF INNOVATIVE PRODUCTS

KUSSMAUL ELECTRONICS COMPANY, INC.

170 CHERRY AVENUE, WEST SAYVILLE, NY 11796, TEL: 631-567-0314, FAX: 631-567-5826, E-MAIL: sales@kussmaul.com