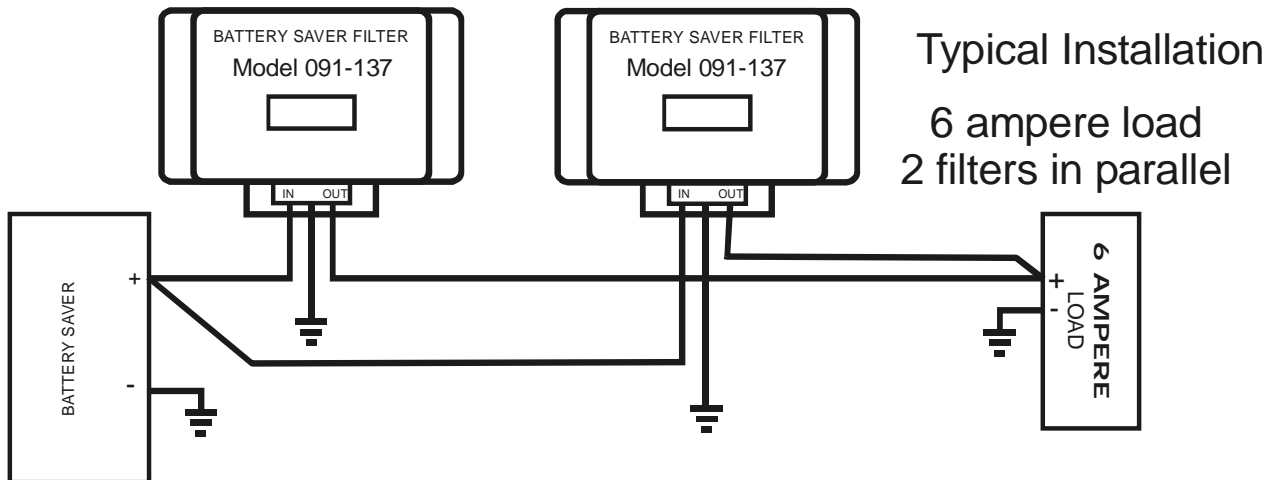
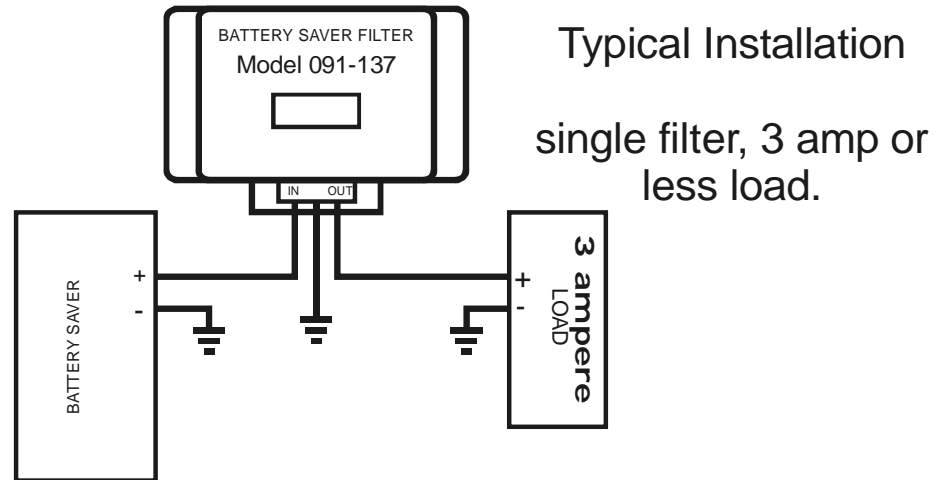


INSTALLATION INSTRUCTIONS



1. The Model 091-137 Battery Saver Filter is designed to filter the full wave rectified, unfiltered D.C. Output of the Battery Saver. The output is a low ripple 13.8 VDC.
2. Install the filter in a convenient, dry location and wire as illustrated in the diagram above. Use #18 AWG minimum wire size for wire runs up to 15 feet. Longer distances require a larger wire size.
3. Note that the maximum current capacity of the filter is 3 amps. For higher currents use 2 or more filters may be connected in parallel.



SINCE 1967, DESIGNERS OF INNOVATIVE PRODUCTS

KUSSMAUL ELECTRONICS COMPANY, INC.

170 CHERRY AVENUE, WEST SAYVILLE, NEW YORK, 11796-1221 USA

TEL. In NY: 631 567-0314

TOLL FREE: 800 346-0857

FAX: 631 567-5826